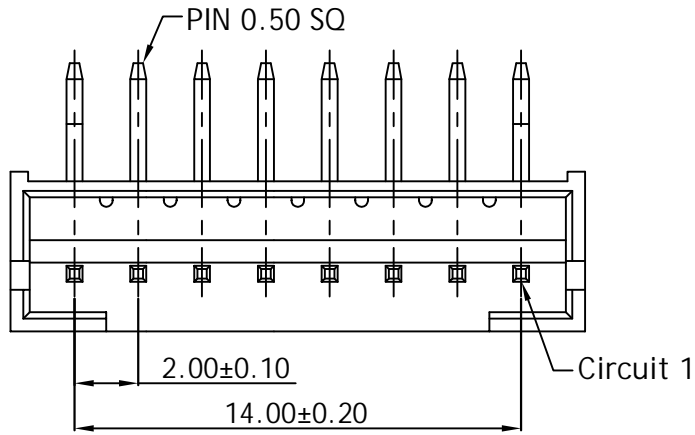
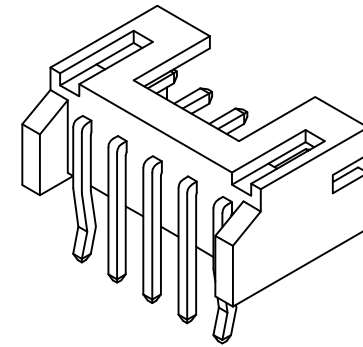


RoHS COMPLIANT

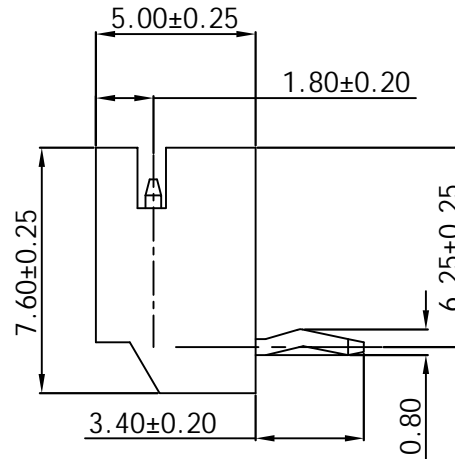
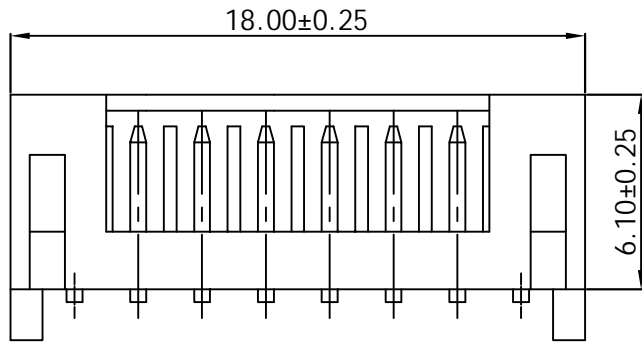


Specifications
 Current Rating: 3A AC,DC
 Voltage Rating: 100V AC,DC
 Insulation Resistance: 1000M Ω Min.
 Withstanding Voltage: 800V AC/Minute.
 Contact Resistance: 20mΩ Max.
 Operating Temperature: -25 °C to +85 °C

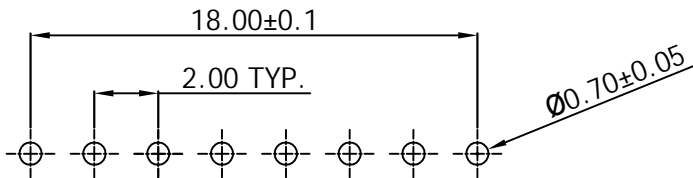
Materials
 Terminal: Brass
 Insulation Material: Nylon 66 UL 94V-0
 Plating: Tin Plating



3D View



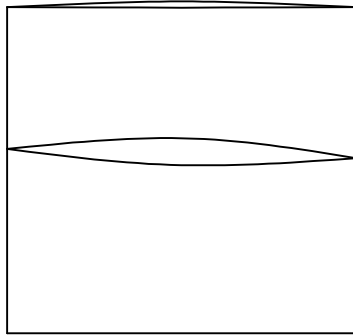
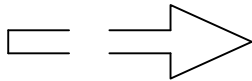
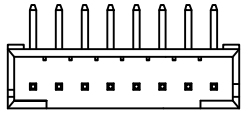
Contact	Dimensions	
	A	B
02P	2.0	6.0
03P	4.0	8.0
04P	6.0	10.0
05P	8.0	12.0
06P	10.0	14.0
07P	12.0	16.0
08P	14.0	18.0
09P	16.0	20.0
10P	18.0	22.0
11P	20.0	24.0
12P	22.0	26.0
13P	24.0	28.0
14P	26.0	30.0
15P	28.0	32.0
16P	30.0	34.0



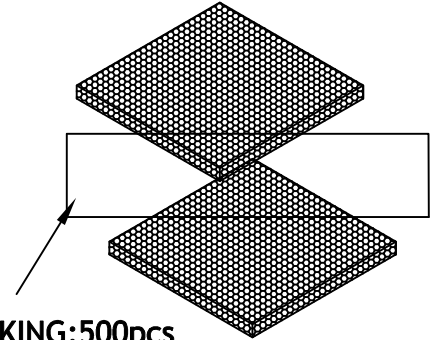
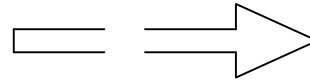
RECOMMENDED P.C.B. LAYOUT
 ALL TOLERANCES ARE ±0.05

						Angle	±2°	DESIGN	Aple	2021.03.23	龍威電子有限公司 Dragon Well Ele Dragon Well Electronics Co.,Ltd		
						X.X	±0.35	CHECK	Jason	2021.03.23			
						X.XX	±0.3	APPROVAL	Rix	2021.03.23			
	A-0	2021.03.23	NEW	Michael	Rix	X.XXX	±0.15				TITLE:	JST PH 2.0 DIP 90° Wafer VK type	
ECN NO.	REV	DATE	DESCRIPTION	CHANGE	APPRO.	GENERAL TOLERANCE UNLESS OTHERWISE NOTED		SCALE: N/A	UNIT:mm	A4	SHEET: 1 of 1	MODEL NO.	DW2002WR-08P-L
												THIS DRAWING CONTAINS INFORMATION THAT IS PROPRIETARY TO DRAGON WELL AND SHOULD NOT BE USED WITHOUT WRITTEN PERMISSION	

RoHS COMPLIANT

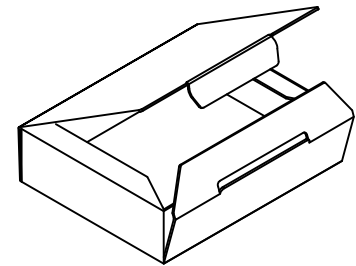


PE BAG PACKING:500pcs/BAG

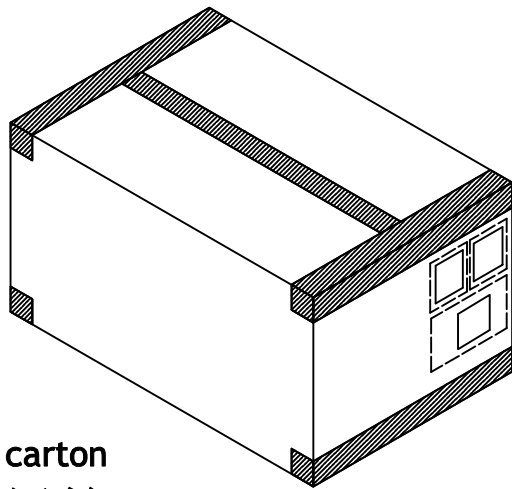


PE BAG PACKING:500pcs

每包底部和顶部各垫一块珍珠棉



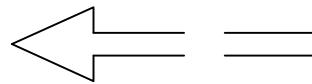
BOX (500pcsX2)=1BOX



carton
纸箱

NOTE:

1. 每包PE袋装500PCS,封口PE内要内充有空气。
2. 封箱,在封好的纸箱上按客户要求写上料号,数量等



						Angle	±2°	DESIGN	Aple	2021.03.23	龍威電子有限公司 Dragon Well Ele Dragon Well Electronics Co.,Ltd		
						X.X	±0.30	CHECK	Jason	2021.03.23		TITLE:	JST PH 2.0 DIP 90° Wafer VK type
						X.XX	±0.20	APPROVAL	Rix	2021.03.23		MODEL NO.	DW2002WR-08P-L Packing
ECN NO.	REV	DATE	DESCRIPTION	CHANGE	APPRO.	GENERAL TOLERANCE UNLESS OTHERWISE NOTED		SCALE: N/A	UNIT:mm	A4	SHEET: 1 of 1	THIS DRAWING CONTAINS INFORMATION THAT IS PROPRIETARY TO DRAGON WELL AND SHOULD NOT BE USED WITHOUT WRITTEN PERMISSION	