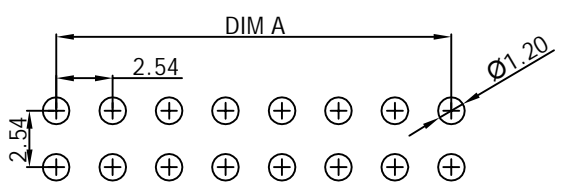
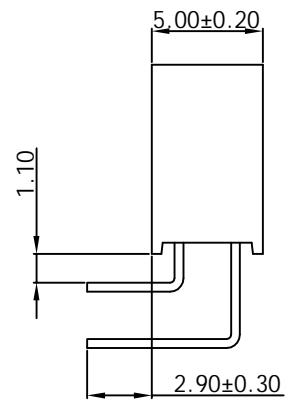
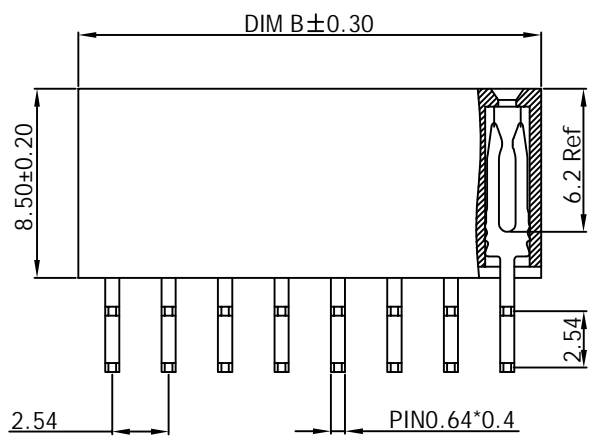
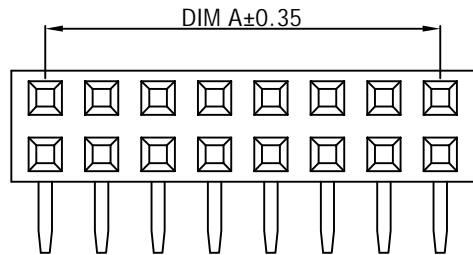


RoHS COMPLIANT

技术参数/Technical parameters

额定电流/Current Rating :2AMP
 绝缘阻抗/Insulator Resistance :1000MΩ Min.
 接触阻抗/Contact Resistance :20mΩ Max.
 耐电压值/Voltage Resistance :AC 500V
 工作温度/Operating Temperature :-40°C ~ +105°C
 金属材料/Metallic Material :Copper alloy
 金属处理/Metal Treatment :Ni(30-50u")+See description
 绝缘材料/Insulator Material :PA6T UL94V-0
 耐焊接热/Resistance To Soldering Heat :260°C ±5°C 10S MAX

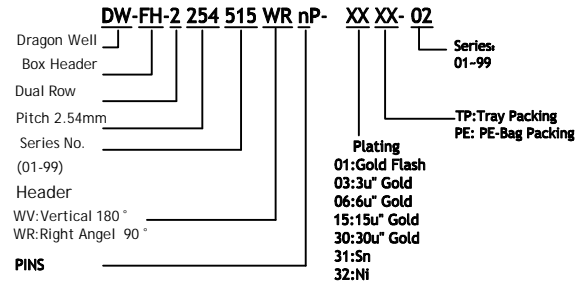


TOLERANCE: ±0.05,
RECOMMENDED PCB LAYOUT
(TOP VIEW)

| PIN No. | DIM A | DIM B |
|---------|-------|-------|
| 04 | 2.54 | 5.58 |
| 06 | 5.08 | 8.12 |
| 08 | 7.62 | 10.66 |
| 10 | 10.16 | 13.20 |
| 12 | 12.70 | 15.74 |
| 14 | 15.24 | 18.28 |
| 16 | 17.78 | 20.82 |
| 18 | 20.32 | 23.36 |
| 20 | 22.86 | 25.90 |
| 22 | 25.40 | 28.44 |
| 24 | 27.94 | 30.98 |
| 26 | 30.48 | 33.52 |
| 28 | 33.02 | 36.06 |
| 30 | 35.56 | 38.60 |
| 32 | 38.10 | 41.14 |
| 34 | 40.64 | 43.68 |
| 36 | 43.18 | 46.22 |
| 38 | 45.72 | 48.76 |
| 40 | 48.26 | 51.30 |

| PIN No. | DIM A | DIM B |
|---------|-------|--------|
| 42 | 50.80 | 53.84 |
| 44 | 53.34 | 56.38 |
| 46 | 55.88 | 58.92 |
| 48 | 58.42 | 61.46 |
| 50 | 60.96 | 64.00 |
| 52 | 63.50 | 66.54 |
| 54 | 66.04 | 69.08 |
| 56 | 68.58 | 71.62 |
| 58 | 71.12 | 74.16 |
| 60 | 73.66 | 76.70 |
| 62 | 76.20 | 79.24 |
| 64 | 78.74 | 81.78 |
| 66 | 81.28 | 84.32 |
| 68 | 83.82 | 86.86 |
| 70 | 86.36 | 89.40 |
| 72 | 88.90 | 91.94 |
| 74 | 91.44 | 94.48 |
| 76 | 93.98 | 97.02 |
| 78 | 96.52 | 99.56 |
| 80 | 99.06 | 102.10 |

Part number Information:



| ECN NO. | REV | DATE | DESCRIPTION | CHANGE | APPRO. | GENERAL TOLERANCE UNLESS OTHERWISE NOTED | SCALE: N/A | UNIT:mm | A4 | SHEET: 1 of 1 |
|---------|-----|------------|-------------|--------|--------|---|------------|---------|------------|---------------|
| | A-0 | 2018.06.29 | New | Aple | Rix | Angle ±2° X.X ±0.30 X.XX ±0.20 X.XXX ±0.10 | DESIGN | Aple | 2018.06.29 | |
| | | | | | | | CHECK | Jason | 2018.06.29 | |
| | | | | | | | APPROVAL | Rix | 2018.06.29 | |

龍威電子有限公司
 Dragon Well Ele Dragon Well Electronics Co.,Ltd
 TITLE: 2.54 FEMALE HEADER DUAL ROWS DIP TYPE BASE 8.5H
 MODEL NO. DW-FH-2254515WRnP-XXXX-02
 THIS DRAWING CONTAINS INFORMATION THAT IS PROPRIETARY TO DRAGON WELL AND SHOULD NOT BE USED WITHOUT WRITTEN PERMISSION