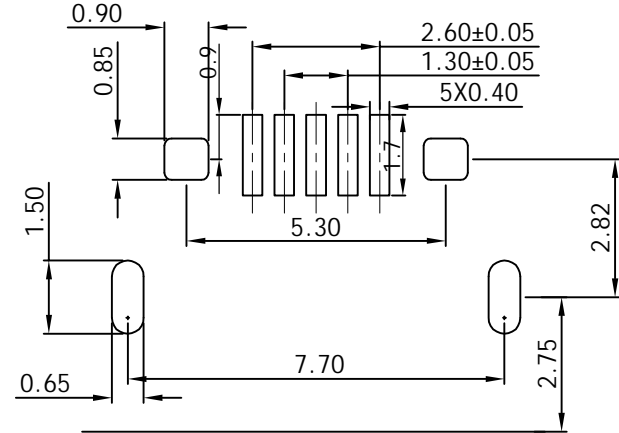
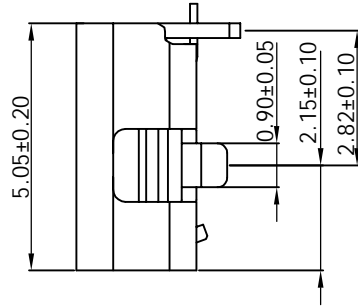
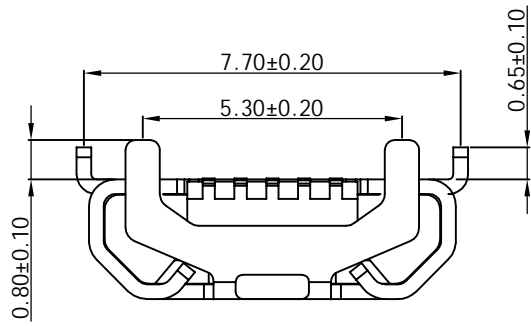
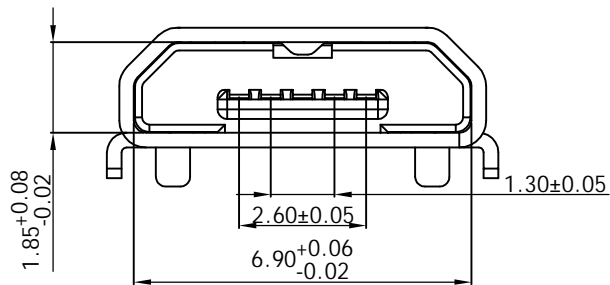
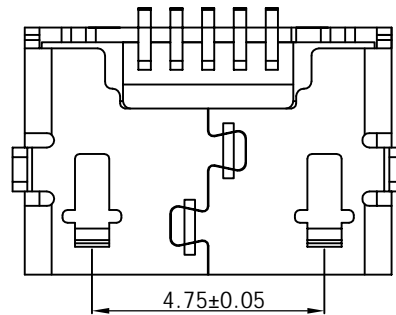
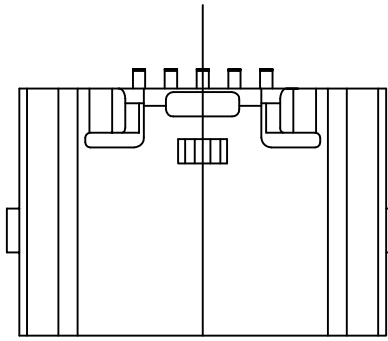


RoHS COMPLIANT



RECOMMENDED PCB LAYOUT
GENERAL TOLERANCES: ±0.05



Part number Information:

DW-MCB-CB5220-XX TR-01
 Contact Plating
 01: Gold Flash Plating on Mating Area
 03: 3u" Gold Plating on Mating Area
 05: 5u" Gold Plating on Mating Area
 15: 15u" Gold Plating on Mating Area
 30: 30u" Gold Plating on Mating Area
 TR: Tape Reel
 Series
 01-99

备注:

1. 产品规格:
 - 1-1. 插入力: 35N MAX.
 - 1-2. 拔出力: 10N MIN. INITIAL 8-20N AFTER
 - 1-3. 额定电流: 1.0A
 - 1-4. 额定电压: 30V
 - 1-5. 耐久性: 10000 CYCLES MIN.
 - 1-6. 耐电压: 100V AC MIN.
 - 1-7. 接触阻抗: 30mΩ MAX. INITIAL; 40mΩ MAX AFTER
 - 1-8. 绝缘电阻: 100MΩ MIN
 - 1-9. 工作温度: -30° TO +80°
2. 材质:
 - 2.1 胶芯: LCP UL94V-0
 - 2.2 端子: C2680R-H, 镍底, 镀金1μ"
 - 2.3 外壳: SUS201/301, 表面镀雾锡/镀镍
3. 重点尺寸标识"▲"符号

						Angle	±2°	DESIGN	Aple	2021.03.16	龍威電子有限公司 Dragon Well Ele Dragon Well Electronics Co., Ltd	
						X.	±0.5	CHECK	Jason	2021.03.16		
						X.X	±0.35	APPROVAL	Rix	2021.03.16		
ECN NO.	REV	DATE	DESCRIPTION	CHANGE	APPRO.	GENERAL TOLERANCE UNLESS OTHERWISE NOTED		SCALE: N/A	UNIT:mm	A4	SHEET: 1 of 1	TITLE: MICRO USB 5P 牛角反向直边7.7*5.3mm
	A-0	2021.03.16	NEW	Michael	Rix	X.XX	±0.30					MODEL NO. DW-MCB-CB5220-XXTR-01
											THIS DRAWING CONTAINS INFORMATION THAT IS PROPRIETARY TO DRAGON WELL AND SHOULD NOT BE USED WITHOUT WRITTEN PERMISSION	