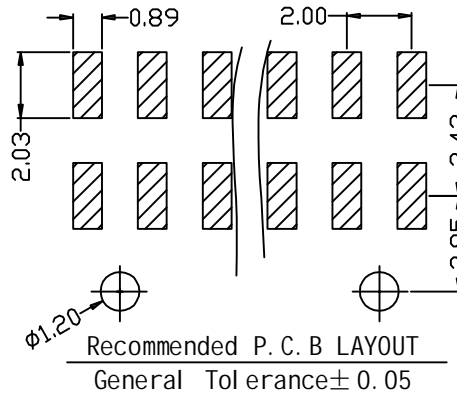
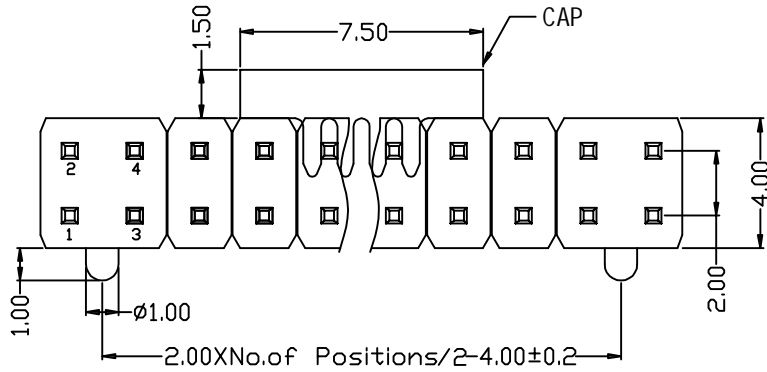


RoHS COMPLIANT



Specifications

备注(Remark)

1. 材料(MATERIAL)

胶芯: PA6T+30%G. F UL94V-0, 颜色: 黑色.

Housing: PA6T+30%G. F UL94V-0, Color: Black

四方针: 黄铜, 镍底30u"MI N, 表面镀金0.8u"

Contact: Brass, 0.8u" GOLD PLATING OVER ALL

30u" MI N NICKEL UNDERPLATING OVER ALL

2. 特性(characteristics):

额定电流: 2 AMP

Rating Current: 2 AMP.

接触阻抗: 20 mΩ MAX.

Contact Resistance: 20 mΩ MAX.

绝缘阻抗: 1000 MΩ MI N.

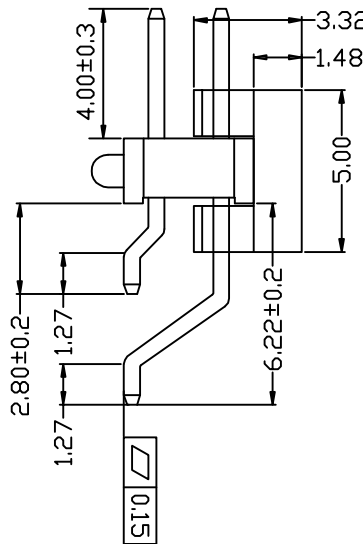
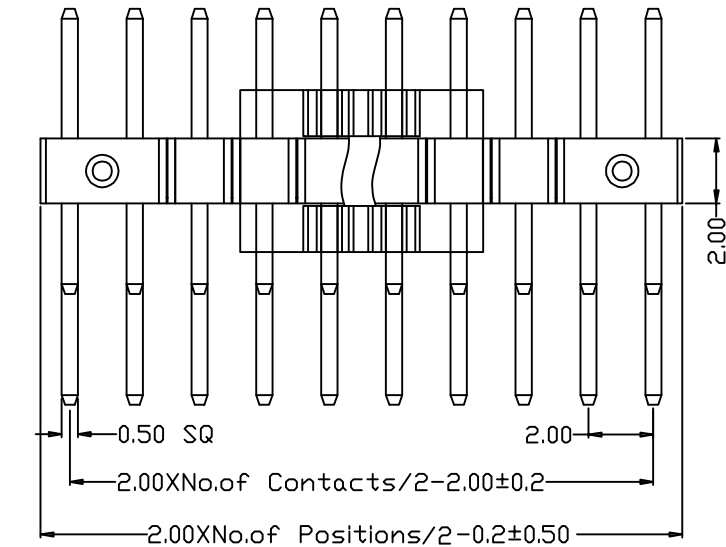
Insulating Resistance: 1000 MΩ MI N.

耐电压: AC 500V/分钟.

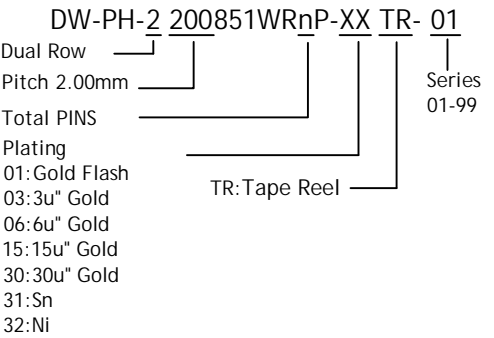
Withstanding Voltage: AC 500V/Minute.

温度范围: -40° C to+105° C

Temperature Range: -40° C to+105° C



Part number Information:



| | | | | | | | | | | | | |
|---------|-----|------------|-------------|--------|--------|--|-------|------------|---------|------------|--|---|
| | | | | | | Angle | ±2° | DESIGN | Aple | 2023.08.29 | <p>龍威電子有限公司 Dragon Well Ele Dragon Well Electronics Co.,Ltd</p> | |
| | | | | | | X | ±0.30 | CHECK | Jason | 2023.08.29 | | |
| | | | | | | X.X | ±0.25 | | | | | |
| | | | | | | X.XX | ±0.15 | APPROVAL | Rix | 2023.08.29 | | |
| | | | | | | X.XXX | ±0.10 | | | | | |
| ECN NO. | REV | DATE | DESCRIPTION | CHANGE | APPRO. | GENERAL TOLERANCE UNLESS OTHERWISE NOTED | | SCALE: N/A | UNIT:mm | A4 | SHEET: 1 of 1 | TITLE: 2.00 PITCH PIN HEADER Dual Row R/A SMT W/Pgs |
| | A-0 | 2023.08.29 | NEW | | Aple | Rix | | | | | | MODEL NO. DW-PH-2200851WRnP-XXTR-01 |
| | | | | | | | | | | | THIS DRAWING CONTAINS INFORMATION THAT IS PROPRIETARY TO DRAGON WELL AND SHOULD NOT BE USED WITHOUT WRITTEN PERMISSION | |