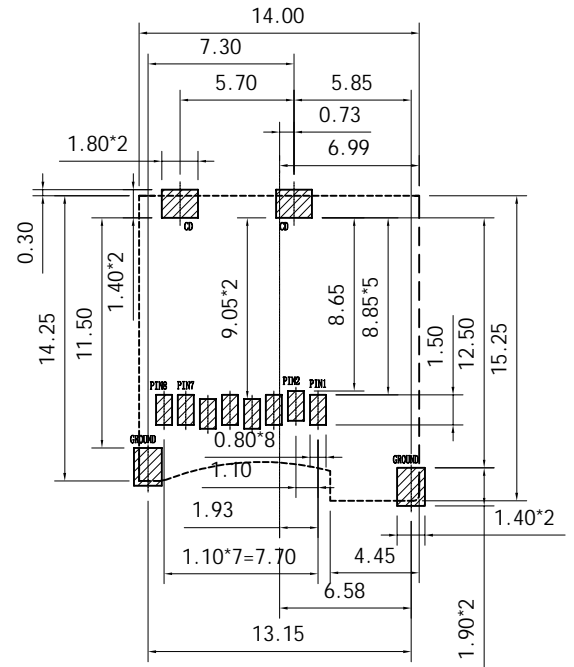
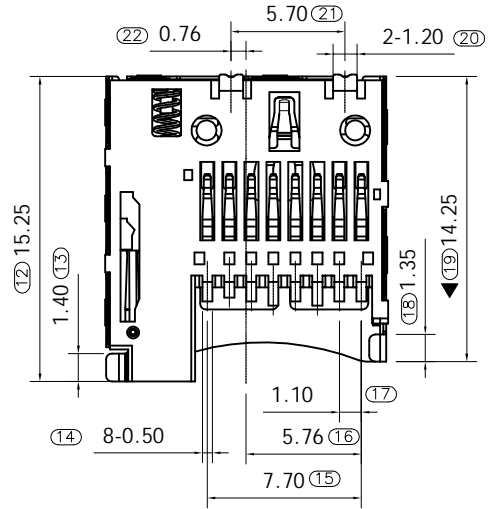
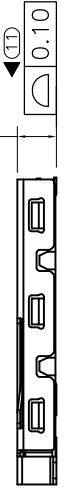
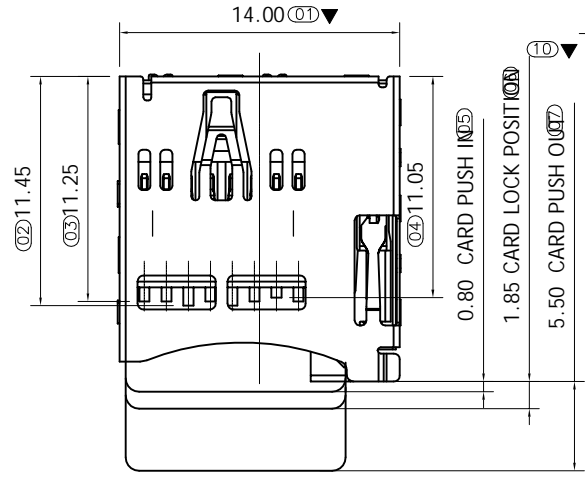
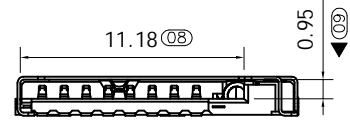


RoHS COMPLIANT



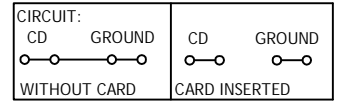
RECOMMEND PCB LAYOUT
GENERAL TOLERANCE ±0.05



- NOTES:
- MATERIAL:
 - Housing: High Temperature Thermoplastic
UL94V-0; Color Black.
 - Terminal: Copper Alloy.
 - Shell: Stainless Steel.
 - PLATING:
 - Contact: Contact Area: Au G/F, Solder area: Matte tin
80u"Min ; Under plate Ni 40u"Min all over
 - SHELL: Solder Area: Au G/F, Under plate Ni 30u"Min all over
 - CD PIN: Contact Area: Au G/F, Under plate Ni 40u"Min all over
 - SPECIALITY:
 - Rated current: 1.0A
 - Rated voltage: 30V
 - Contact Resistance: 50m Ω MAX
 - Insulation Resistance: 1000M Ω MIN 500V DC
 - Dielectric withstanding voltage: 500V AC.
 - Solder ability: 255±5 °C, 5±0.5s.
 - Durability: 10000 Cycles Min.
 - Operating condition: Temperature -40 °C ~ +85 °C;
Humidity 80% R.H MAX

Pin No.	MICRO SD
PIN1	DAT2 1P
PIN2	CD/DAT3 2P
PIN3	CMD 3P
PIN4	VDD 4P
PIN5	CLK 5P
PIN6	VSS 6P
PIN7	DAT0 7P
PIN8	DAT1 8P
PIN9	CARD DETECT
PIN10	

开关插卡状态



Part number Information:
DW-TF-818516- XX TR -01

Connector Plating _____
Series **01-99**
01: Gold Flash Plating on Mating Area
03: 3u" Gold Plating on Mating Area
05: 5u" Gold Plating on Mating Area
15: 15u" Gold Plating on Mating Area
30: 30u" Gold Plating on Mating Area
TR: Tape Reel

					Angle	±2°	DESIGN	Aple	2016.11.29	<p>龍威電子有限公司 Dragon Well Ele Dragon Well Electronics Co., Ltd</p>	
					X.	±0.35	CHECK	Jason	2016.11.29		
					X.X	±0.30	APPROVAL	Rix	2016.11.29		
ECN NO.	REV	DATE	DESCRIPTION	CHANGE	APPRO.	GENERAL TOLERANCE UNLESS OTHERWISE NOTED	SCALE: N/A	UNIT: mm	A4	SHEET: 1 of 1	TITLE: 1.85H P_P TF Card常闭一体式 无柱
											MODEL NO. DW-TF-818516-XXTR-01
THIS DRAWING CONTAINS INFORMATION THAT IS PROPRIETARY TO DRAGON WELL AND SHOULD NOT BE USED WITHOUT WRITTEN PERMISSION											