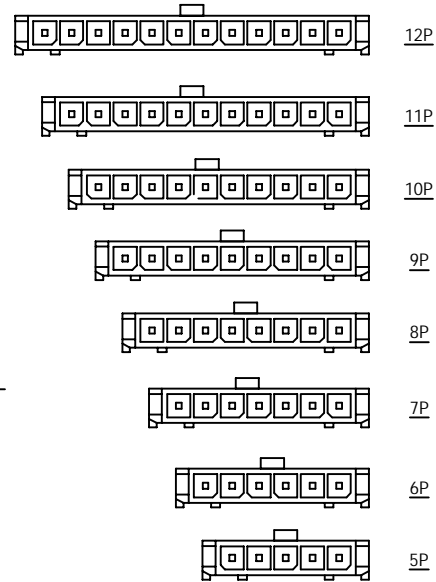
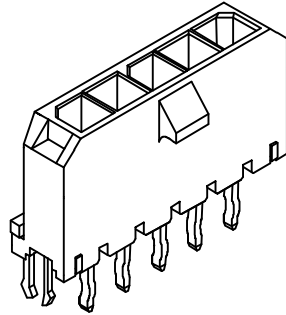
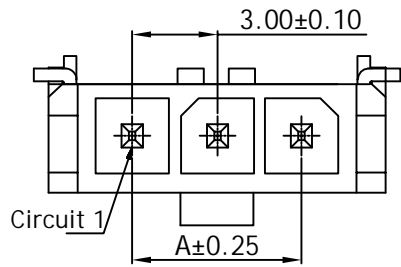
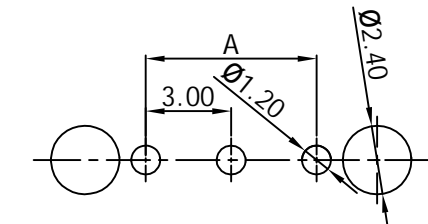
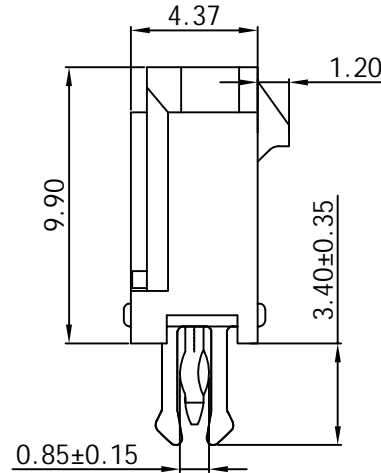
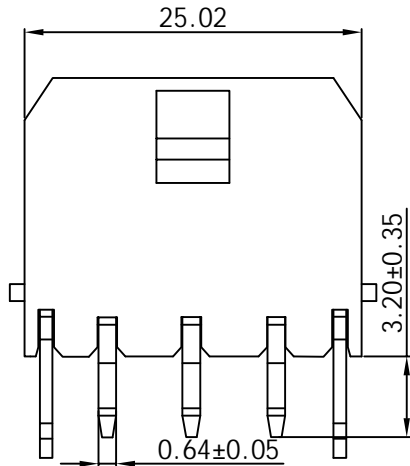


RoHS COMPLIANT



Specifications
 Current Rating: 6A AC,DC
 Voltage Rating: 250V AC,DC
 Insulation Resistance: 1000M Ω Min.
 Withstanding Voltage: 1500V AC/Minute.
 Contact Resistance: 10mΩ Max.
 Operating Temperature:-25°C to +85°C

Materials
 Terminal: Brass/Tin over Nickel
 Housing: LCP UL94V-0 (Black)



RECOMMENDED P.C.B. LAYOUT
 TOLERANCE UNSPECIFIED ±0.05mm

Part number Information:

DW-WF-1 300620WVNP-XX PE -01
 Single Row
 Pitch 3.00mm
 Total PINS
 Connector Plating
 01:Gold Flash
 03:3u" Gold
 06:6u" Gold
 15:15u" Gold
 30:30u" Gold
 31:Sn
 32:Ni
 PE:PE Bag
 I Series
 01-99

PIN NO.	Dimension	
	A	B
02		
04	4.20	9.60
06	8.40	13.80
08	12.60	18.00
10	16.80	22.20
12	21.00	26.40
14	25.20	30.60
16	29.40	34.80
18	33.60	39.00
20	37.80	43.20
22	42.00	47.40
24	46.20	51.60

ECN NO.	REV	DATE	DESCRIPTION	CHANGE	APPRO.	GENERAL TOLERANCE UNLESS OTHERWISE NOTED	SCALE: N/A	UNIT:mm	A4	SHEET: 1 of 1
	A-0	2015.06.19	NEW	Aple	Rix	X.XXX ±0.15				
						X.XX ±0.30				
						X.X ±0.35				
						Angle ±2°	DESIGN	Aple	2015.06.19	
							CHECK	Jason	2015.06.19	
							APPROVAL	Rix	2015.06.19	

龍威電子有限公司
 Dragon Well Ele Dragon Well Electronics Co.,Ltd

TITLE: 3.00 Pitch 180° Single Row Wafer Dip
 MODEL NO. DW-WF-1300620WVNP-XXPE-01

THIS DRAWING CONTAINS INFORMATION THAT IS PROPRIETARY TO DRAGON WELL AND SHOULD NOT BE USED WITHOUT WRITTEN PERMISSION