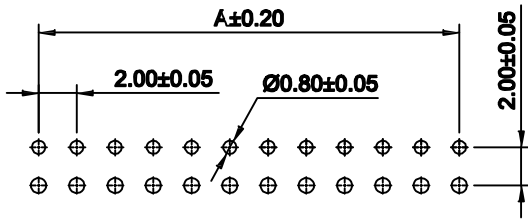
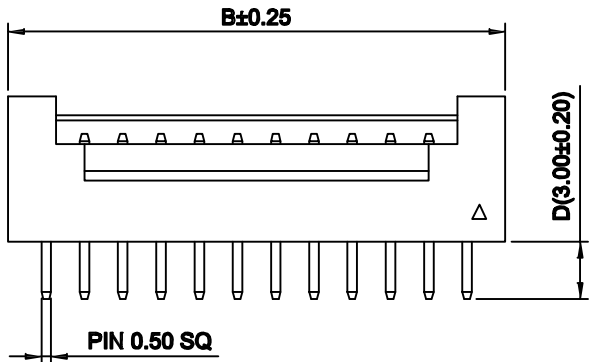
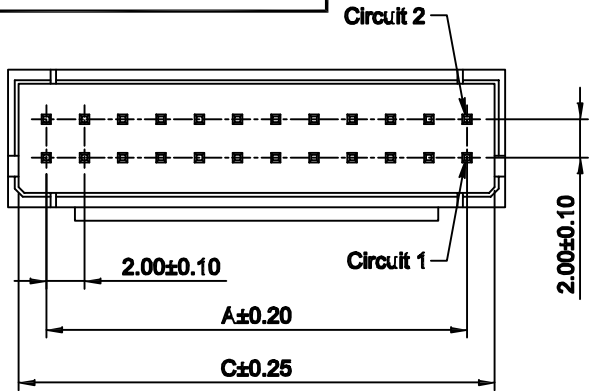
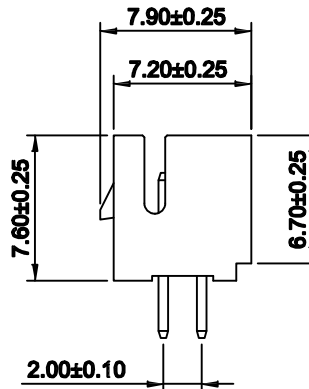
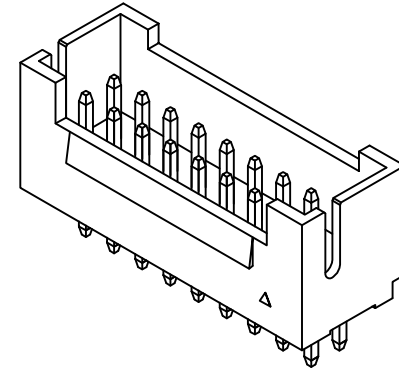


RoHS COMPLIANT



RECOMMENDED P.C.B. LAYOUT
ALL TOLERANCES ARE ±0.05

Current rating: 3A AC, DC
Voltage rating: 250V AC, DC
Temperature range: -25°C ~ +85°C
Contact resistance: 30mΩ Max.
Insulation resistance: 1000MΩ Min.
Withstanding voltage: 1000V AC/minute
Material: Brass/Tin over Nickel
Insulator: Nylon 46, UL94V-0 (Ivory)



Part number Information:

DW-WF-2 200388WVnP-31 XX -01
Dual Row
Pitch 2.00mm
Total PINS
Connector Plating
01: Gold Flash
03: 3u" Gold
06: 6u" Gold
15: 15u" Gold
30: 30u" Gold
31: Sn
32: Ni
PE: PE Bag
TP: Tray Packing
ISeries
01-99

Circuits	Dimensions		
	A	B	C
04	2.00	6.00	4.80
06	4.00	8.00	6.80
08	6.00	10.00	8.80
10	8.00	12.00	10.80
12	10.00	14.00	12.80
14	12.00	16.00	14.80
16	14.00	18.00	16.80
18	16.00	20.00	18.80
20	18.00	22.00	20.80
22	20.00	24.00	22.80
24	22.00	26.00	24.80
26	24.00	28.00	26.80
28	26.00	30.00	28.80
30	28.00	32.00	30.80
32	30.00	34.00	32.80
34	32.00	36.00	34.80
36	34.00	38.00	36.80
38	36.00	40.00	38.80
40	38.00	42.00	40.80

ECN NO.	REV	DATE	DESCRIPTION	CHANGE	APPRO.	GENERAL TOLERANCE UNLESS OTHERWISE NOTED	SCALE: N/A	UNIT: mm	A4	SHEET: 1 of 1
	A-0	2019.07.23	NEW	Michael	Rix	Angle ±2° X.X ±0.35 X.XX ±0.30 X.XXX ±0.20	DESIGN Aple 2019.07.23			
							CHECK Jason 2019.07.23			
							APPROVAL Rix 2019.07.23			

龍威電子有限公司
Dragon Well Ele Dragon Well Electronics Co., Ltd

TITLE: 2.00mm Pitch Vertical Dual Row Wafer
MODEL NO. DW-WF-2200388WVnP-31XX-01

THIS DRAWING CONTAINS INFORMATION THAT IS PROPRIETARY TO DRAGON WELL AND SHOULD NOT BE USED WITHOUT WRITTEN PERMISSION