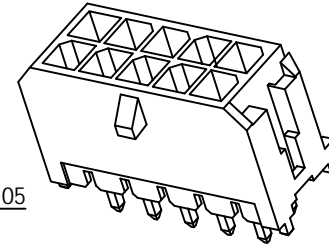
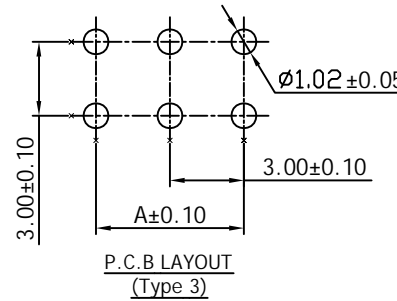
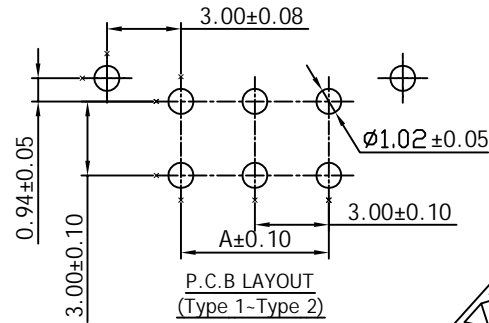
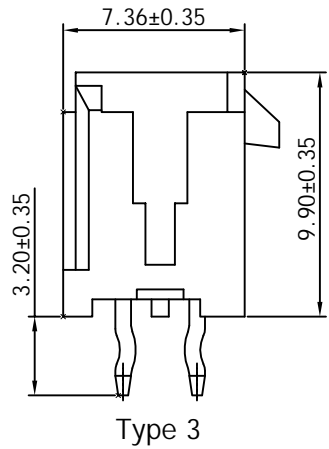
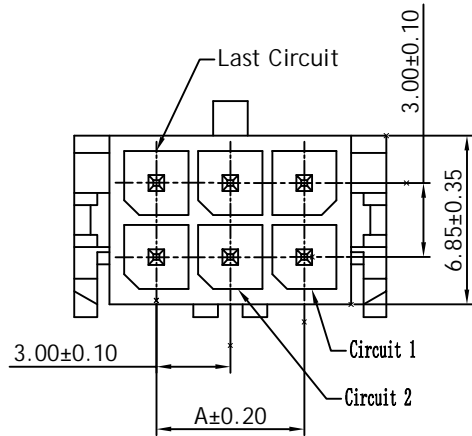
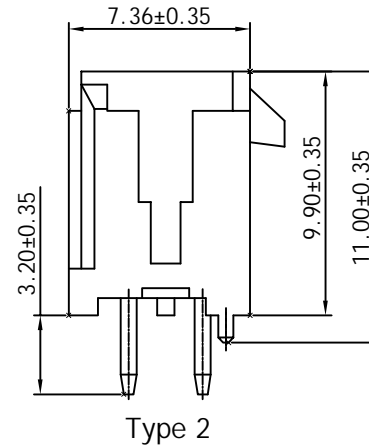
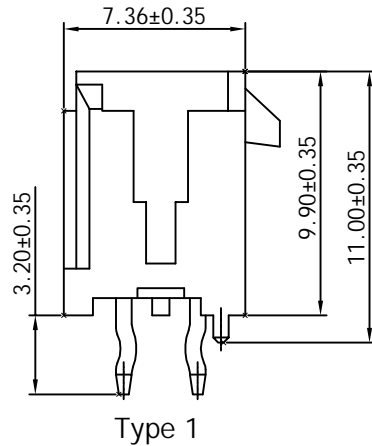
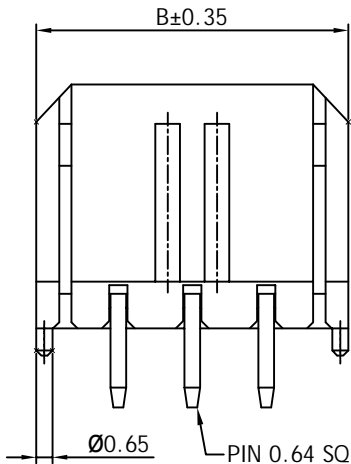


RoHS COMPLIANT



Current rating: 5A AC, DC
 Voltage rating: 250V AC, DC
 Temperature range: -40°C ~ +105°C
 Contact resistance: 10mΩ Max.
 Insulation resistance: 1000MΩ Min.
 Withstanding voltage: 1500V AC/minute
 Material: Pin: Brass/Tin over Nickel
 Insulator: Nylon 66, UL94V-0

PIN NO.	Dimensions	
	A	B
02	-----	6.65
04	3.00	9.65
06	6.00	12.65
08	9.00	15.65
10	12.00	18.65
12	15.00	21.65
14	18.00	24.65
16	21.00	27.65
18	24.00	30.65
20	27.00	33.65
22	30.00	36.65
24	33.00	39.65



Part number Information:

DW-WF-2 300201WVnP-XX XX - XX
 Dual Row
 Pitch 3.00mm
 Total PINS
 Connector Plating
 01:Gold Flash
 03:3u" Gold
 06:6u" Gold
 15:15u" Gold
 30:30u" Gold
 31:Sn
 32:Ni
 PE:PE Bag
 TP:Tray Packing
 I:Series (Type)
 01:Type 1
 02:Type 2
 03:Type 3

					Angle	±2°	DESIGN	Aple	2018.06.26	
					X.X	±0.35	CHECK	Jason	2018.06.26	
					X.XX	±0.30	APPROVAL	Rix	2018.06.26	
	A-0	2018.06.26	NEW	Michael	Rix	X.XXX				
ECN NO.	REV	DATE	DESCRIPTION	CHANGE	APPRO.	GENERAL TOLERANCE UNLESS OTHERWISE NOTED	SCALE: N/A	UNIT:mm	A4	SHEET: 1 of 1

龍威電子有限公司
 Dragon Well EleDragon Well Electronics Co.,Ltd

TITLE: 3.00MM PITCH 180° DUAL ROW WAFER
 MODEL NO. DW-WF-2300201WVnP-XXXX-XX

THIS DRAWING CONTAINS INFORMATION THAT IS PROPRIETARY TO DRAGON WELL AND SHOULD NOT BE USED WITHOUT WRITTEN PERMISSION