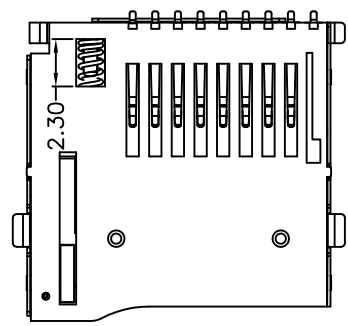
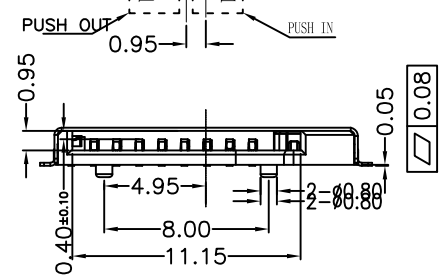
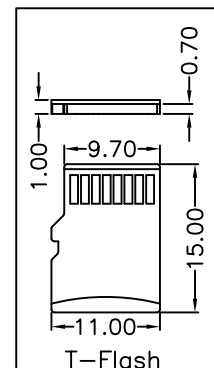
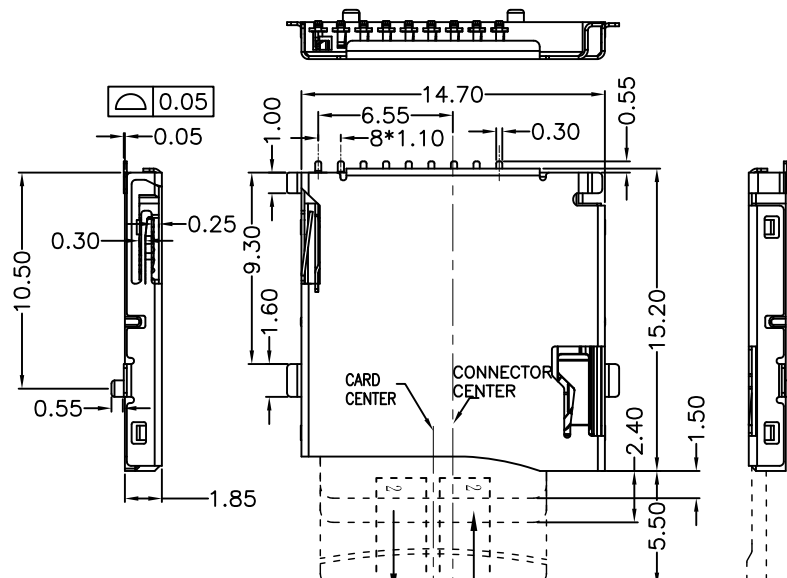
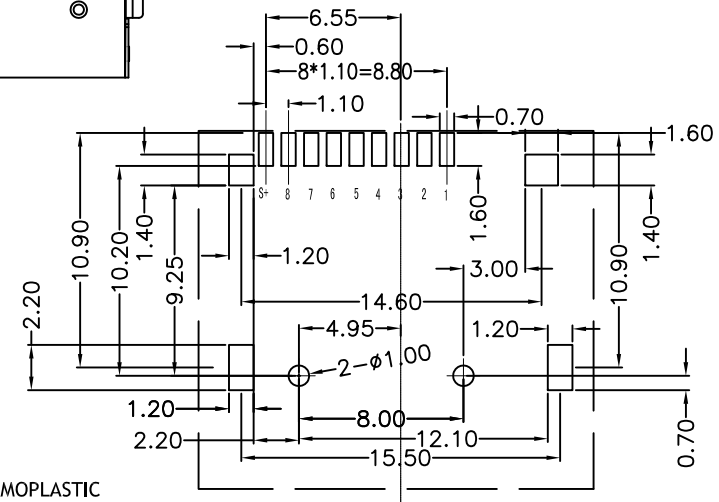


RoHS COMPLIANT



Part NO.:TF08F-017- XX X - SHR
 流水号 1-200 端子电镀 (半金锡)
 0A:1u" 焊片
 0B:3u" G: 镀金
 0C:5u" N: 镀镍
 T: 镀锡120U"
 W: 镀雾锡



RECOMMENDED P. C. B HOLE LAYOUT
 COMPONENT SIDE VIEW (TOLERANCE: +/-0.05)

- NOTES:
- MATERIAL:
 HOUSING: HIGH TEMPERATURE THERMOPLASTIC UL94V_0,COLOR:BLACK.
 CONTACT: COPPER ALLOYS.
 COVER: COPPER ALLOYS OR STEEL.
 - PLATING:
 UNDERPLATE: NICKEL.
 CONTACT AREA: GOLD OVER NICKEL.
 SOLDER AREA: TIN OVER NICKEL.
 - MULTIMEDIA CARD COMPATIBLE

PIN NO.	NAME	YTYPE	DESCRIPTION
1	DAT2	I/O/PP	DATE LINE(BIT2)
2	CD/DAT3	I/O/PP	CARD DETECT DATE LIN(BIT3)
3	CMD	PP	COMMAND RESPONSE
4	VDD	S	SUPPLY VOLTAGE
5	CLX	I	CLOCK
6	VSS	S	SUPPLY VOLTAGE GROUND
7	DAT0	I/O/PP	DATE LINE(BIT0)
8	DAT1	I/O/PP	DATE LINE(DIT1)

Angle	±2°	DESIGN	Michael	2013.06.13
10<L≤20	±0.3	CHECK	Fairy	2013.06.13
5<L≤10	±0.25	APPROVAL	Tom	2013.06.13
L≤5	±0.20			

龍威電子有限公司
 Dragon Well Electronics Co., Ltd

TITLE: T-flash
 MODEL NO. TF08F-017- XX X - SHR
 FILE NO. Q/DW.QW-F08F-017

ECN NO.	REV	DATE	DESCRIPTION	CHANGE	APPRO.
	A-0	2013.06.13	NEW	Michael	Tom