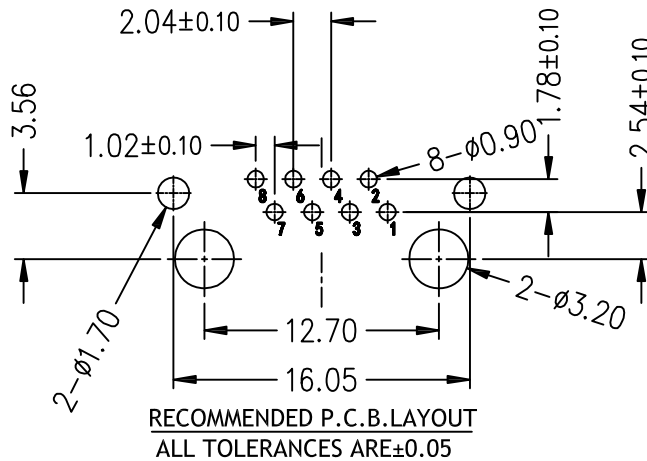
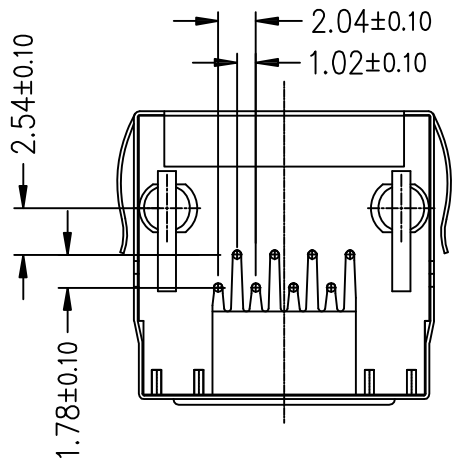
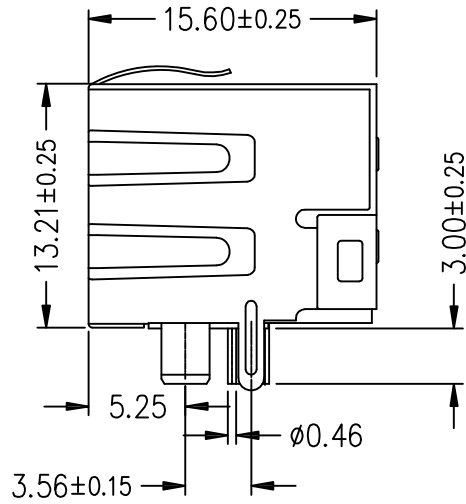
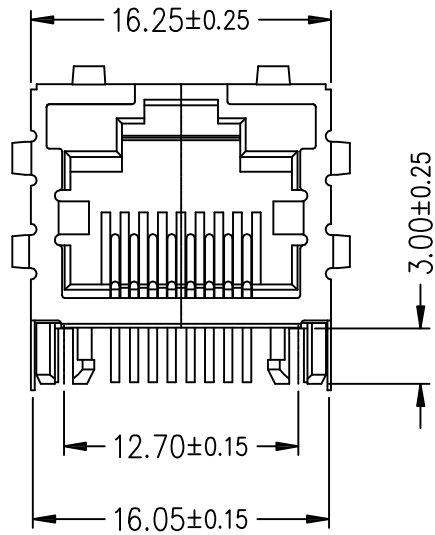


RoHS COMPLIANT



NOTES:

MATERIAL:

1. HOUSING MATERIAL : PA46 UL94V-0.
2. CONTACT MATERIAL : PHOSPHOR BRONZE Ø0.46mm .
3. PLATING : GOLD PLATING OVER NICKEL.
4. SHIELD: COPPER ALLOY 0.20mm THICKNESS PLATING NI.

ELECTRICAL:

1. VOLTAGE RATING : 125 VAC RMS.
2. CURRENT RATING : 1.5 AMP.
3. CONTACT RESISTANCE : 50 MILLIOHMS MAX.
4. INSULATION RESISTANCE : 500 MEGOHMS MIN @ 500V DC ●
5. DIELECTRIC WITHSTANDING RESISTANCE : 1000V AC RMS 50Hz. 1MIN.

MECHANICAL:

1. DURRABILITY : 750 CYCLES MIN.

ENVIRONMENTAL:

1. STORAGE : -40°C TO +85°C.
2. OPERATION : -40°C TO +85°C.

Part number Information:

DW-RJ45-D001191-XX TP - 01

- Connector Plating
- 01: Gold Flash
- 03: 3u" Gold
- 06: 6u" Gold
- 15: 15u" Gold
- 30: 30u" Gold
- 31: Sn
- 32: Ni
- TP: Tray Packing
- Series
- 01-99

| | | | | | | | | | | | | |
|---------|-----|------------|-------------|--------|----------|--|-------|------------|---------|------------|---|--|
| | | | | | | Angle | ±2° | DESIGN | Aple | 2015.12.03 | <p>龍威電子有限公司 Dragon Well Ele Dragon Well Electronics Co.,Ltd</p> | |
| | | | | | | X.X | ±0.3 | CHECK | Jason | 2015.12.03 | | |
| | | | | | | X.XX | ±0.20 | APPROVAL | Rix | 2015.12.03 | | |
| ECN NO. | REV | DATE | DESCRIPTION | CHANGE | APPRO. | GENERAL TOLERANCE UNLESS OTHERWISE NOTED | | SCALE: 1:1 | UNIT:mm | A4 | SHEET: 1 of 1 | TITLE: RJ45 1port 8P8C W/O LED W/shield Tab-Up |
| | A-0 | 2015.12.03 | NEW | | Aple Rix | X.XXX ±0.15 | | | | | | MODEL NO. DW-RJ45-D001191-XXTP-01 |

THIS DRAWING CONTAINS INFORMATION THAT IS PROPRIETARY TO DRAGON WELL AND SHOULD NOT BE USED WITHOUT WRITTEN PERMISSION