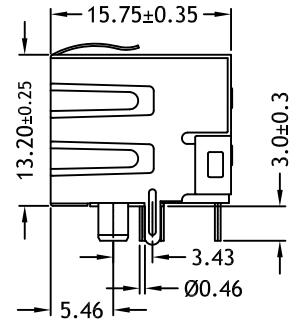
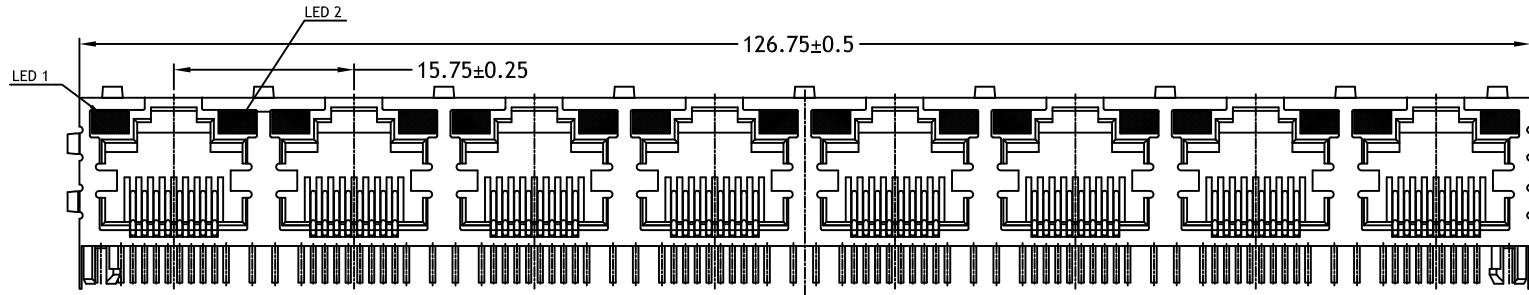
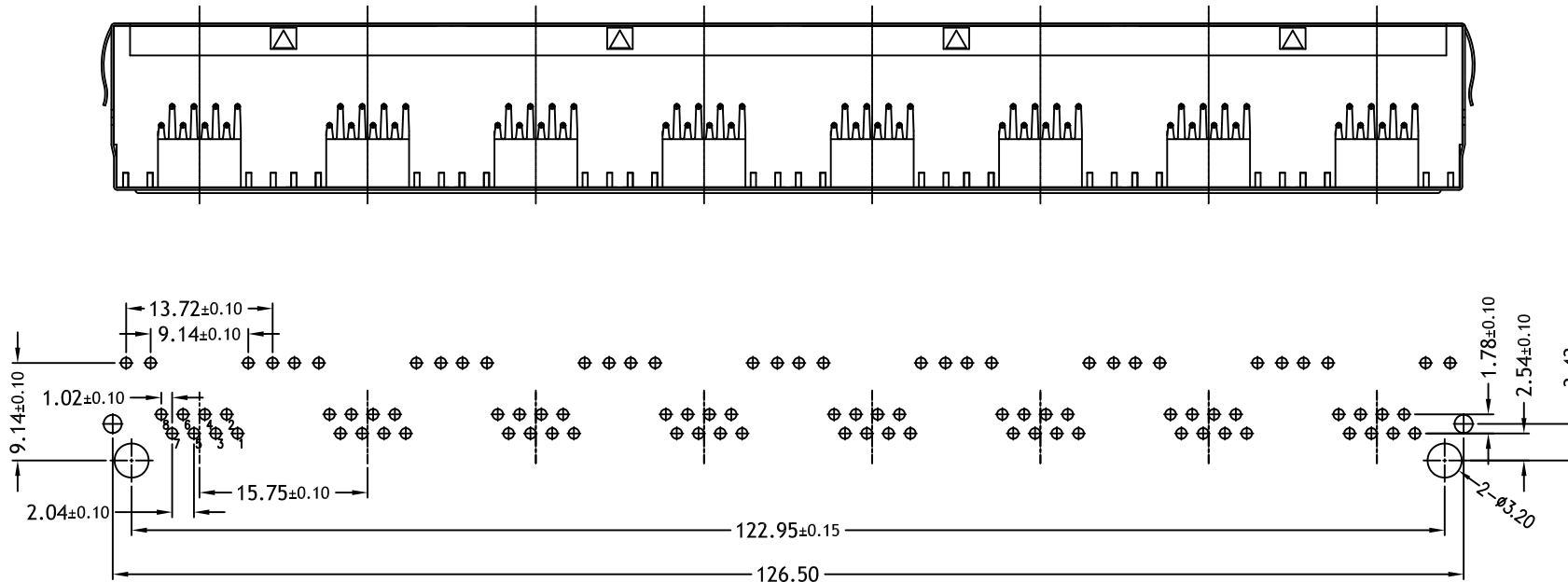


RoHS COMPLIANT



SPECIFICATION NOTES:

- ELECTRICAL:**
- VOLTAGE RATING: 125 VAC RMS
 - CURRENT RATING: 1.5 AMP
 - CONTACT RESISTANCE: 50mΩ MAX.
 - INSULATION RESISTANCE: 500MΩ/MIN. AT 500V DC.
 - DIELECTRIC STRENGTH: 1000 VAC 50Hz 1MINUTE
- MECHANICAL:**
- HOUSING MATERIAL: PA46 UL94V-0 RATED, COLOR BLACK.
 - CONTACT MATERIAL: 0.46mm PHOSPHOR BRONZE, GOLD PLATING OVER NICKEL
 - SHELL MATERIAL: C26800-H T=0.20MM.
 - SHELL PLATING: PLATED NICKEL 30-80U".
 - OPERATING LIFE: 750 CYCLES MIN.
 - MATING FORCE: 5-25N UNMATING FORCE: 58N MIN.
 - Wave soldering Temp.: 235° +/-5°
- ENVIRONMENTAL:**
- STORAGE: -40° C TO +85° C
 - OPERATION: -40° C TO +85° C

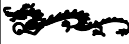


Part number Information:

- DW-RJ45-D008160-XX TP - XX
- Connector Plating
- 01: Gold Flash
 - 03: 3u" Gold
 - 06: 6u" Gold
 - 15: 15u" Gold
 - 30: 30u" Gold
 - 31: 5n
 - 32: Ni
- TP: Tray Packing
- Series
- 01: W/O LED
 - 02: LED1 GREEN LED2 YELLOW
 - 03: LED1 YELLOW LED2 GREEN
 - 04: LED1 GREEN LED2 W/O

**Recommend PCB Layout
(Jack Top View)**

TOLERANCES: ±0.05

						Angle	±2°	DESIGN	Aple	2016.03.23	 龍威電子有限公司 Dragon Well Ele Dragon Well Electronics Co.,Ltd	
						X.X	±0.5	CHECK	Jason	2016.03.23		
						X.XX	±0.35	APPROVAL	Rix	2016.03.23		
ECN NO.	REV	DATE	DESCRIPTION	CHANGE	APPRO.	GENERAL TOLERANCE UNLESS OTHERWISE NOTED		SCALE: N/A	UNIT: mm	A4	SHEET: 1 of 1	TITLE: RJ45 1port 8P8C W/LED Tab-Up
	A-0	2016.03.23	New	Aple	Rix	X.XXX	±0.30					MODEL NO. DW-RJ45-D008160-XXTP-XX
											THIS DRAWING CONTAINS INFORMATION THAT IS PROPRIETARY TO DRAGON WELL AND SHOULD NOT BE USED WITHOUT WRITTEN PERMISSION	