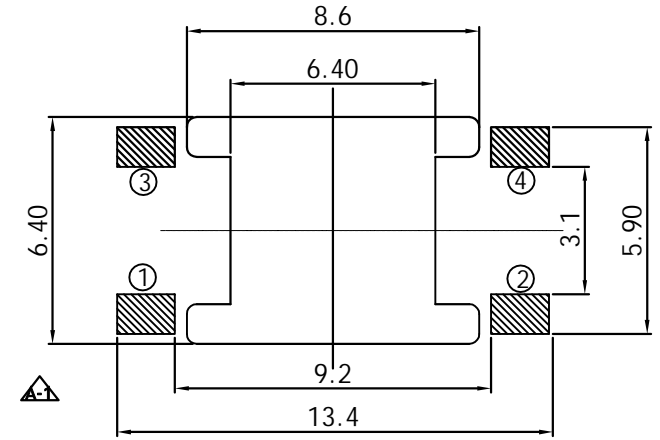
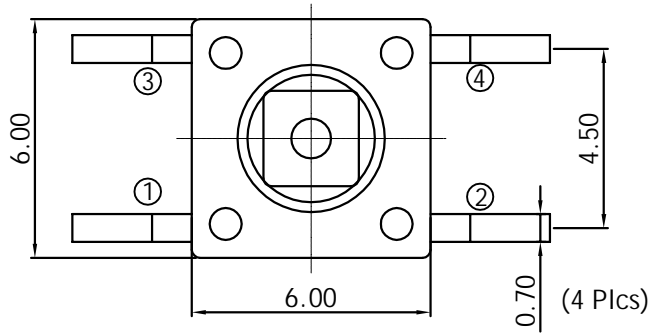


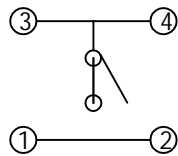
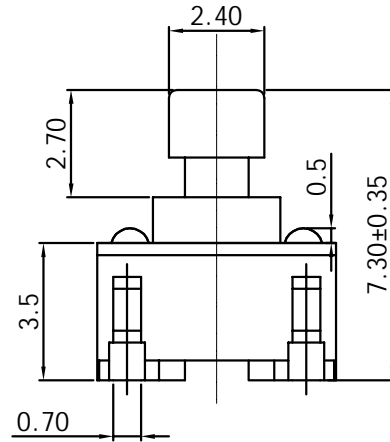
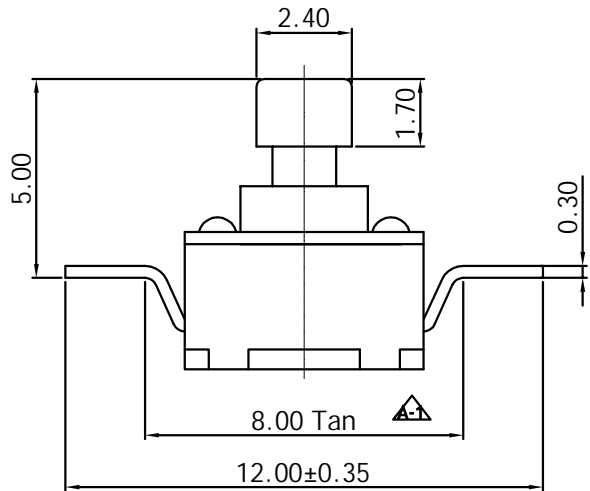
RoHS COMPLIANT

NOTE:

1. Rating: DC12V 50mA;
2. Contact Resistance: 100mΩ Max;
3. Insulation Resistance: 100MΩ Min;
4. Withstanding Voltage: AC250V For 1 Minute;
5. Life Cycle: 100,000 Cycle Min;
6. Operating Force: 160±30gf/260±50gf;
7. Travel: 0.15±0.05mm.



RECOMMENDED P.C.B. LAYOUT
ALL TOLERANCES ARE ±0.05



CIRCUIT DIAGRAM

Part number Information:

DW-TS-S060299A-XX TR -01

TYPE	01	02
Operating Force	160±30gf	260±50gf

TR: Tape Reel

Series
01-99

No	PART NAME	QTY	MATERIAL	FINISH	REMARK
5	SHRAPNEL	1	SUS	Ag Plated	
4	TERMINAL	1	phosphorous bronze	Ag Plated	
3	COVER	1	SUS		
2	KNOB	1	PPA		BLACK
1	BASE	1	PPA		BLACK

ECN NO.	REV	DATE	DESCRIPTION	CHANGE	APPRO.	GENERAL TOLERANCE UNLESS OTHERWISE NOTED	SCALE: N/A	UNIT:mm	A4	SHEET: 1 of 1	THIS DRAWING CONTAINS INFORMATION THAT IS PROPRIETARY TO DRAGON WELL AND SHOULD NOT BE USED WITHOUT WRITTEN PERMISSION
						Angle ±2°					<p>龍威電子有限公司 Dragon Well Ele Dragon Well Electronics Co., Ltd</p>
						X. ±0.45	DESIGN	Aple	2025.10.24		
						X.X ±0.35	CHECK	Jason	2025.10.24		
						X.XX ±0.25	APPROVAL	Rix	2025.10.24		
						X.XXX ±0.10					
	A-1	2025.10.24	Update drwaing	Aple	Rix						TITLE: Tact switch(6*6*7.3贴片四方头反贴)
	A-0	2025.10.13	NEW	Aple	Rix						MODEL NO. DW-TS-S060299A-XXTR-01