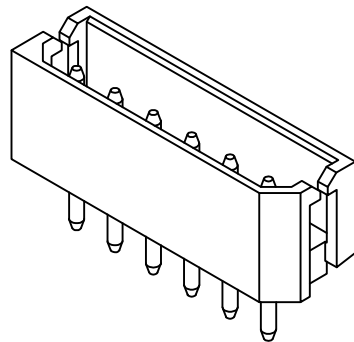
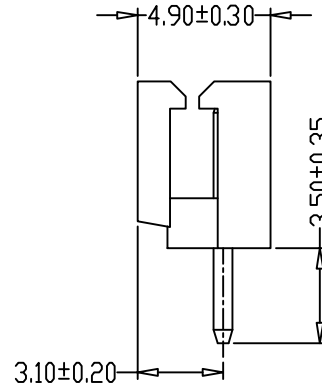
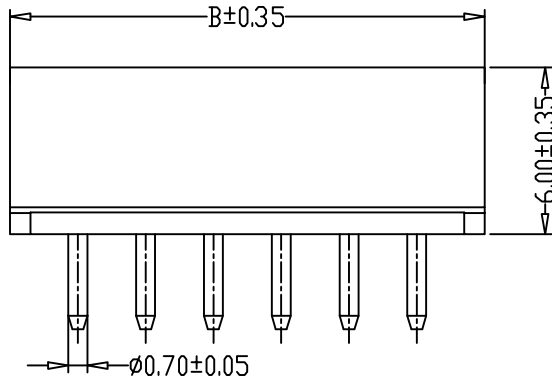
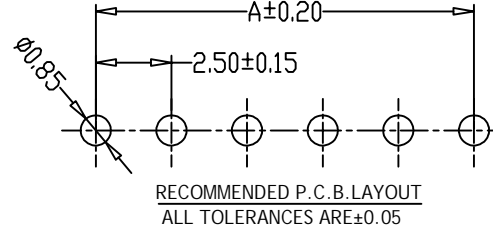
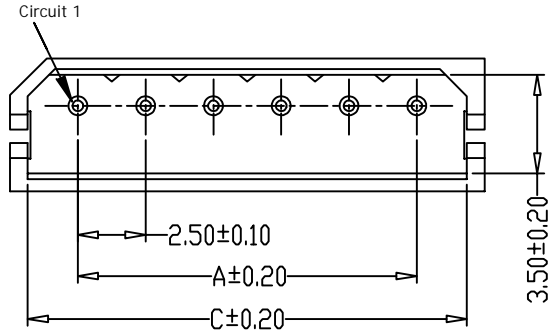


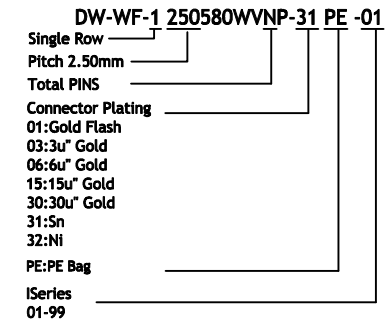
RoHS COMPLIANT



Current rating: 3A AC, DC
 Voltage rating: 250V AC, DC
 Temperature range: -40 °C ~ +105 °C
 Contact resistance: 20mΩ Max.
 Insulation resistance: 1000MΩ Min.
 Withstanding voltage: 1000V AC/minute
 Material: Pin: Brass/Tin over Nickel
 Insulator: PA 66, UL94V-0

PIN NO.	Dimensions		
	A	B	C
02	2.50	7.50	6.20
03	5.00	10.00	8.70
04	7.50	12.50	11.20
05	10.00	15.00	13.70
06	12.50	17.50	16.20
07	15.00	20.00	18.70
08	17.50	22.50	21.20
09	20.00	25.00	23.70
10	22.50	27.50	26.20
11	25.00	30.00	28.70
12	27.50	32.50	31.20
13	30.00	35.00	33.70
14	32.50	37.50	36.20
15	35.00	40.00	38.70
16	37.50	42.50	41.20
17	40.00	45.00	43.70
18	42.50	47.50	46.20
19	45.00	50.00	48.70
20	47.50	52.50	51.20

Part number Information:



						Angle	±2°	DESIGN	Aple	2017.11.26	龍威電子有限公司 Dragon Well Ele Dragon Well Electronics Co., Ltd		
						X.X	±0.35	CHECK	Jason	2017.11.26			
						X.XX	±0.30	APPROVAL	Rix	2017.11.26			
	A-0	2017.11.26	NEW	Michael	Rix	X.XXX	±0.15				TITLE:	2.50mm PITCH 180° Wafer Single Row	
ECN NO.	REV	DATE	DESCRIPTION	CHANGE	APPRO.	GENERAL TOLERANCE UNLESS OTHERWISE NOTED		SCALE: N/A	UNIT:mm	A4	SHEET: 1 of 1	MODEL NO.	DW-WF-1250580WVNP-31PE-01
												THIS DRAWING CONTAINS INFORMATION THAT IS PROPRIETARY TO DRAGON WELL AND SHOULD NOT BE USED WITHOUT WRITTEN PERMISSION	