

RoHS COMPLIANT

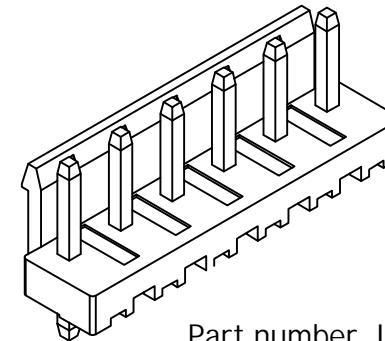
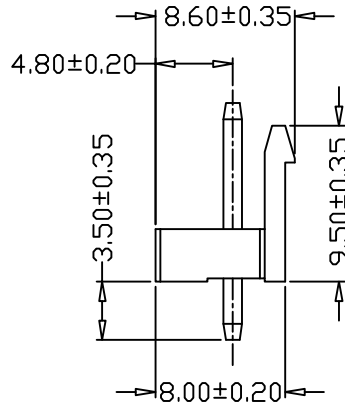
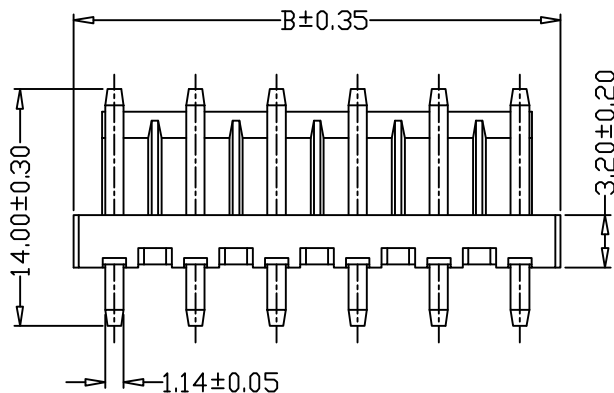
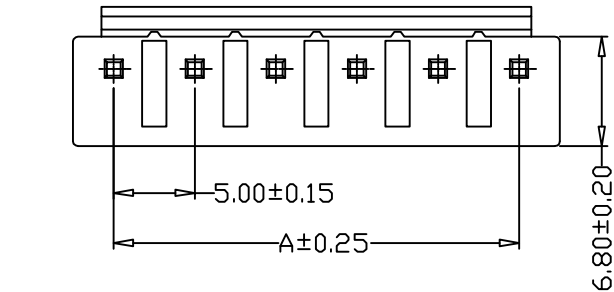
SPECIFICATION

1. Current Rating: 10A AC, DC.
2. Voltage Rating: 250V AC, DC
3. Temperature Range : -25°C ~ +85°C
4. Contact resistance ≤ 20mΩ.
5. Insulation resistance: 1000MΩ Min.
6. Withstanding voltage: 1500V AC / minute.

MATERIAL:

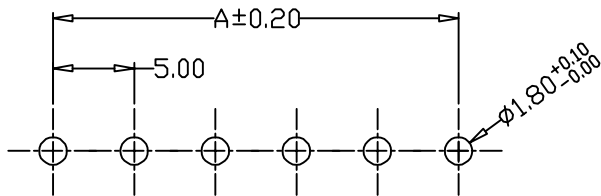
1. Housing Material: Nylon 66 94V-0 (Natural)
2. Contact : Brass
3. Plating: Tin Plated Over Nickel

PART NO.	Dimension	
	A	B
02	5.00	10.00
03	10.00	15.00
04	15.00	20.00
05	20.00	25.00
06	25.00	30.00
07	30.00	35.00
08	35.00	40.00
09	40.00	45.00
10	45.00	50.00



Part number Information:

DW-WF-1 508610WVnP-31 PE -01
 Single Row
 Pitch 5.08mm
 Total PINS
 Connector Plating
 01: Gold Flash
 03: 3u" Gold
 06: 6u" Gold
 15: 15u" Gold
 30: 30u" Gold
 31: Sn
 32: Ni
 PE: PE Bag
 I Series
 01-99



RECOMMENDED P.C.B. LAYOUT
 ALL TOLERANCES ARE ±0.05

ECN NO.	REV	DATE	DESCRIPTION	CHANGE	APPRO.	GENERAL TOLERANCE UNLESS OTHERWISE NOTED	SCALE: N/A	UNIT: mm	A4	SHEET: 1 of 1	THIS DRAWING CONTAINS INFORMATION THAT IS PROPRIETARY TO DRAGON WELL AND SHOULD NOT BE USED WITHOUT WRITTEN PERMISSION
						Angle ±2°	DESIGN	Aple	2024.11.15		<p>龍威電子有限公司 Dragon Well Ele Dragon Well Electronics Co., Ltd</p>
						X.X ±0.35	CHECK	Jason	2024.11.15		
						X.XX ±0.3	APPROVAL	Rix	2024.11.15		
	A-0	2024.11.15	NEW	Michael	Rix	X.XXX ±0.15					
											TITLE: 5.08 PITCH DIP 180° Single Row Wafer
											MODEL NO. DW-WF-1508610WVnP-31PE-01