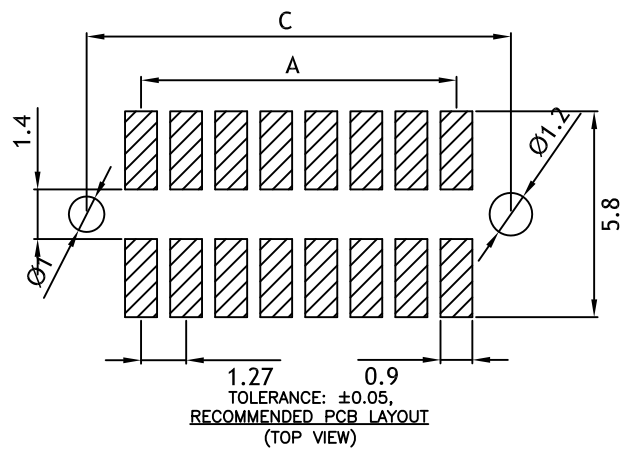
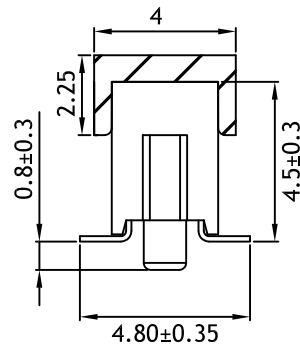
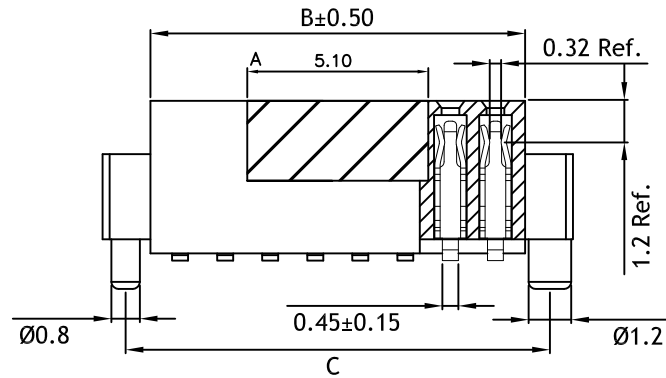
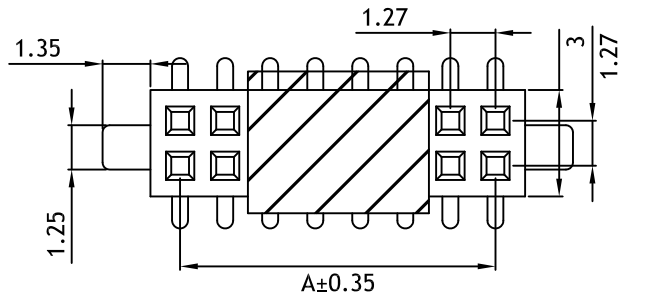


RoHS COMPLIANT



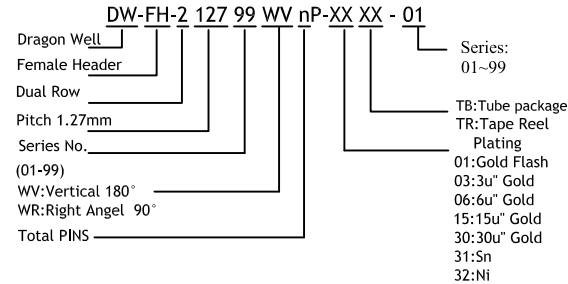
技术参数/Technical parameters

- 1 符合规范 / Accord With Norm: EIA-364C
- 2 额定电流 / Current Rating : 1AMP
- 3 绝缘阻抗 / Insulator Resistance : 1000MΩ Min.
- 4 接触阻抗 / Contact Resistance : 20mΩ Max.
- 5 耐电压值 / Voltage Resistance : AC 500V
- 6 工作温度 / Operating Temperature : -40°C To +105°C
- 7 金属材料 / Metallic Material : Phosphorous bronze
- 8 金属处理 / Metal Treatment : Ni 30U" + Au 0.5-0.8U"
- 9 绝缘材料 / Insulator Material : PA6T UL94V-0
- 10 耐焊接热 / Soldering Temperature : 260°C ±5°C 10S MAX

PIN No.	DIM A	DIM B	DIM C
04	1.27	2.94	4.34
06	2.54	4.21	5.61
08	3.81	5.48	6.88
10	5.08	6.75	8.15
12	6.35	8.02	9.42
14	7.62	9.29	10.69
16	8.89	10.56	11.96
18	10.16	11.83	13.23
20	11.43	13.10	14.50
22	12.70	14.37	15.77
24	13.97	15.64	17.04
26	15.24	16.91	18.31
28	16.51	18.18	19.58
30	17.78	19.45	20.85
32	19.05	20.72	22.12
34	20.32	21.99	23.39
36	21.59	23.26	24.66
38	22.86	24.53	25.93
40	24.13	25.80	27.20

PIN No.	DIM A	DIM B	DIM C
42	25.40	27.07	28.47
44	26.67	28.34	29.74
46	27.94	29.61	31.01
48	29.21	30.88	32.28
50	30.48	32.15	33.55
52	31.75	33.42	34.82
54	33.02	34.69	36.09
56	34.29	35.96	37.36
58	35.56	37.23	38.63
60	36.83	38.50	39.90
62	38.10	39.77	41.17
64	39.37	41.04	42.44
66	40.64	42.31	43.71
68	41.91	43.58	44.98
70	43.18	44.85	46.25
72	44.45	46.12	47.52
74	45.72	47.39	48.79
76	46.99	48.66	50.06
78	48.26	49.93	51.33
80	49.53	51.20	52.60

Part number Information:



						Angle	±2°	DESIGN	Aple	2016.11.18	<p>龍威電子有限公司 Dragon Well Ele Dragon Well Electronics Co.,Ltd</p>		
						X.	±0.45	CHECK	Jason	2016.11.18		TITLE:	1.27 FEMALE HEADER DUAL ROWS SMT TYPE BASE 4.3H
						X.X	±0.35	APPROVAL	Rix	2016.11.18		MODEL NO.	DW-FH-212799WVnP-XXXX-01
						X.XX	±0.25						
ECN NO.	REV	DATE	DESCRIPTION	CHANGE	APPRO.	X.XX	±0.10	SCALE: N/A	UNIT: mm	A4	SHEET: 1 of 1	THIS DRAWING CONTAINS INFORMATION THAT IS PROPRIETARY TO DRAGON WELL AND SHOULD NOT BE USED WITHOUT WRITTEN PERMISSION	