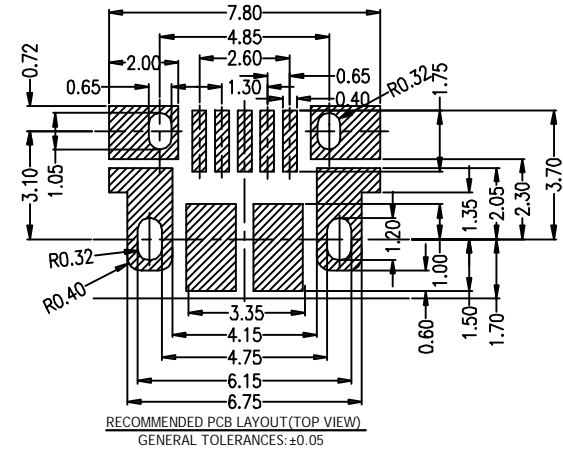
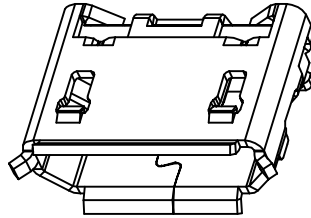
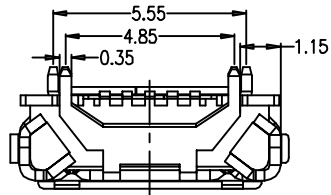


RoHS COMPLIANT



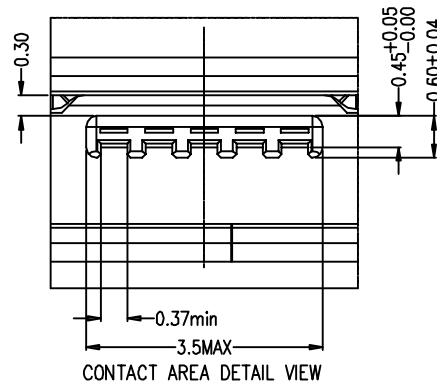
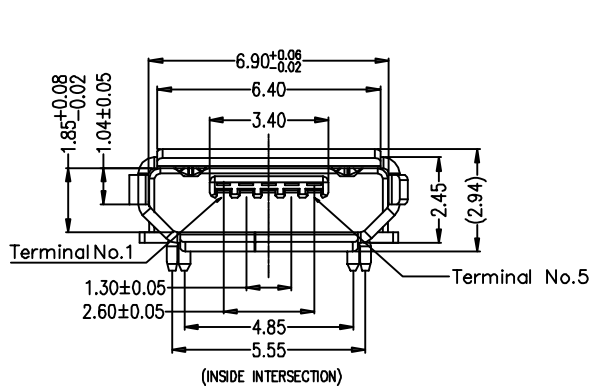
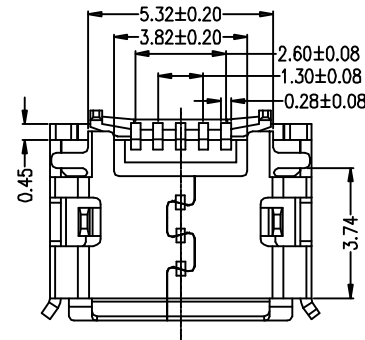
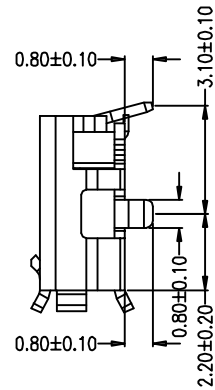
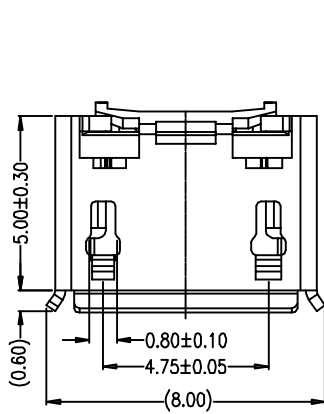
Note:

1.Material:

- 1.1 Housing: LCP High temperature thermoplastic with g.f,UL94v-0
- 1.2 Contact: copper alloy,t=0.15mm
- 1.3 Shell: SUS304,t=0.30mm

2.Specification:

- 2.1 Current rating: 1 A Max.
- 2.2 Dielectric withstanding voltage: 100 V(ac) for 1 min.
- 2.3 Contact resistance: 30 mΩ Max.
- 2.4 Insulation resistance: 100 MΩ Min.
- 2.5 Total mating force: 3.57 Kgf Max.
- 2.6 Total unmating force: 1.0 Kgf Min.
- 2.7 Temperature range: -30°C~80°C



DW-MCB-CB5163- XX TR-01

- Contact Plating
- 01:Gold Flash Plating on Mating Area
 - 03:3u" Gold Plating on Mating Area
 - 05:5u" Gold Plating on Mating Area
 - 15:15u" Gold Plating on Mating Area
 - 30:30u" Gold Plating on Mating Area

TR:Tape Reel

Series
01-99

						Angle	±2°	DESIGN	Aple	2018.07.16	
						X.	±0.35	CHECK	Jason	2018.07.16	
						X.X	±0.30	APPROVAL	Rix	2018.07.16	
	A-0	2018.07.16	NEW	Michael	Rix	X.XX	±0.25				
ECN NO.	REV	DATE	DESCRIPTION	CHANGE	APPRO.	GENERAL TOLERANCE UNLESS OTHERWISE NOTED		SCALE: N/A	UNIT:mm	A4	SHEET: 1 of 1

龍威電子有限公司
Dragon Well Ele Dragon Well Electronics Co.,Ltd

TITLE: MICRO USB 5P B TYPE牛角型斜后蓋插板 5.55mm

MODEL NO. DW-MCB-CB5163-XXTR-01

THIS DRAWING CONTAINS INFORMATION THAT IS PROPRIETARY TO DRAGON WELL AND SHOULD NOT BE USED WITHOUT WRITTEN PERMISSION