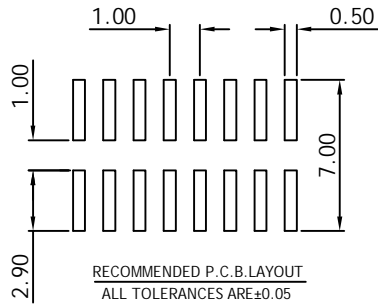
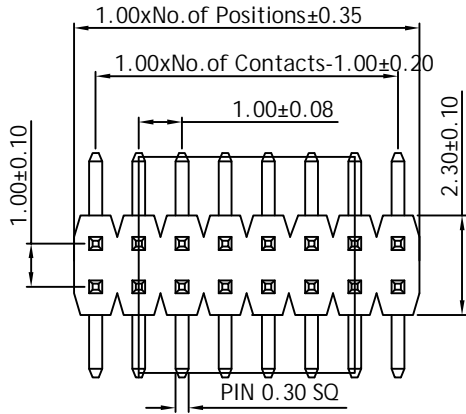


RoHS COMPLIANT

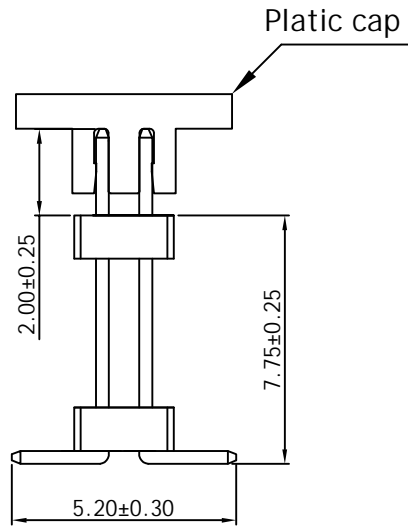
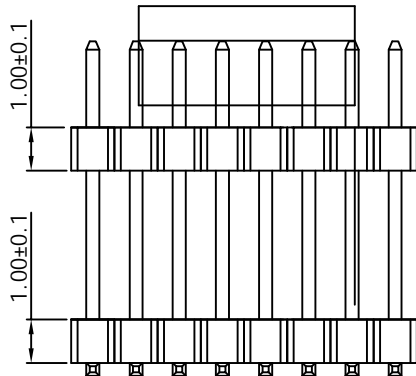


Specifications

Current rating:0.75A
 Voltage rating:30V
 Insulation Resistance: 1000MΩ Min.
 Dielectric withstanding voltage:
 120V AC for 1 minute.
 Contact Resistance: 20mΩ Max.

Materials

Contact Material: Brass
 Insulation Material: UL 94V-0 PA6T+30%
 Operating temperature range:-55°C TO +125°C.
 Durability:500 cycles.
 IR Reflow Peak Soldering
 Temperature:255°C~265°C 5~10 Seconds



Part number Information:

DW-PH-2 100833WVnP-XX TR- 01
 Dual Row
 Pitch 1.00mm
 Total PINS
 Plating
 01:Gold Flash
 03:3u" Gold
 06:6u" Gold
 15:15u" Gold
 30:30u" Gold
 31:Sn
 32:Ni
 TR:Tape Reel
 Series 01-99

						Angle	±2°	DESIGN	Aple	2025.08.29		<p>龍威電子有限公司 Dragon Well Ele Dragon Well Electronics Co.,Ltd</p>		
						X	±0.30	CHECK	Jason	2025.08.29			TITLE:	1.00 PITCH PIN HEADER Dual Row SMT TYPE BASE 1.00H
						X.X	±0.25	APPROVAL	Rix	2025.08.29			MODEL NO.	DW-PH-2100833WVnP-XXTR-01
	A-0	2025.08.29	NEW	Aple	Rix	X.XX	±0.15							
						X.XXX	±0.10							
ECN NO.	REV	DATE	DESCRIPTION	CHANGE	APPRO.	GENERAL TOLERANCE UNLESS OTHERWISE NOTED		SCALE: N/A	UNIT:mm	A4	⊕	SHEET: 1 of 1	THIS DRAWING CONTAINS INFORMATION THAT IS PROPRIETARY TO DRAGON WELL AND SHOULD NOT BE USED WITHOUT WRITTEN PERMISSION	