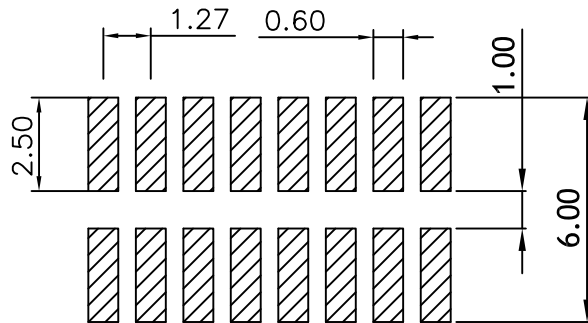
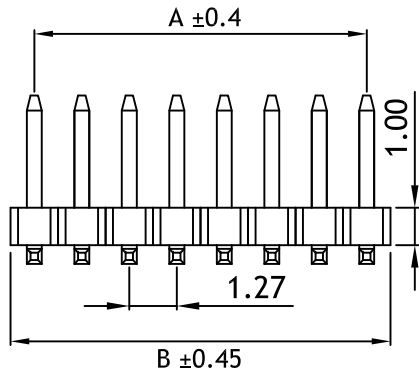
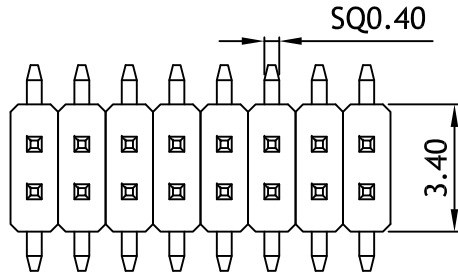


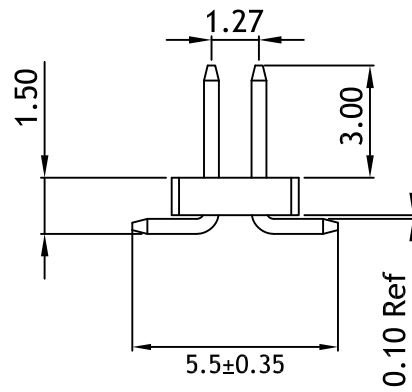
RoHS COMPLIANT

技术参数/Technical parameters

- 1 符合规范/Accord With Norm:EIA-364C
- 2 额定电流/Current Rating :1AMP
- 3 绝缘阻抗/Insulator Resistance :1000MΩ Min.
- 4 接触阻抗/Contact Resistance :20mΩ Max.
- 5 耐电压值/Voltage Resistance :AC 500V
- 6 工作温度/Operating Temperature :-40°C To +105°C
- 7 金属材料/Metallic Material :Brass
- 8 金属处理/Metal Treatment :Ni30U"+ Au 0.5~0.8u
- 9 绝缘材料/Insulator Material:PA6T+30%GF UL94V-0
- 10 耐焊接热/Soldering Temperature :260°C ±5°C 10S MAX



RECOMMENDED P.C.B.LAYOUT
ALL TOLERANCES ARE ±0.05



Part number Information:

DW-PH-2 127258WVnP-XX TR- 01
 Dual Row
 Pitch 1.27mm
 Total PINS
 Terminal Plating
 01:Gold Flash
 03:3u" Gold
 06:6u" Gold
 15:15u" Gold
 30:30u" Gold
 31:Sn
 32:Ni
 TR:Tape Reel
 Series 01-99

PIN No.	DIM A	DIM B	PIN No.	DIM A	DIM B
04	1.27	2.54	52	31.75	33.02
06	2.54	3.81	54	33.02	34.29
08	3.81	5.08	56	34.29	35.56
10	5.08	6.35	58	35.56	36.83
12	6.35	7.62	60	36.83	38.10
14	7.62	8.89	62	38.10	39.37
16	8.89	10.16	64	39.37	40.64
18	10.16	11.43	66	40.64	41.91
20	11.43	12.70	68	41.91	43.18
22	12.70	13.97	70	43.18	44.45
24	13.97	15.24	72	44.45	45.72
26	15.24	16.51	74	45.72	46.99
28	16.51	17.78	76	46.99	48.26
30	17.78	19.05	78	48.26	49.53
32	19.05	20.32	80	49.53	50.80
34	20.32	21.59	82	50.80	52.07
36	21.59	22.86	84	52.07	53.34
38	22.86	24.13	86	53.34	54.61
40	24.13	25.40	88	54.61	55.88
42	25.40	26.67	90	55.88	57.15
44	26.67	27.94	92	57.15	58.42
46	27.94	29.21	94	58.42	59.69
48	29.21	30.48	96	59.69	60.96
50	30.48	31.75	98	60.96	62.23
			100	62.23	63.50

ECN NO.	REV	DATE	DESCRIPTION	CHANGE	APPRO.	GENERAL TOLERANCE UNLESS OTHERWISE NOTED	SCALE: N/A	UNIT:mm	A4	SHEET: 1 of 1
	A-0	2015.08.13	NEW	Aple	Rix	Angle ±2° X. ±0.45 X.X ±0.38 X.XX ±0.25 X.XXX ±0.15	DESIGN Aple 2015.08.13			
							CHECK Jason 2015.08.13			
							APPROVAL Rix 2015.08.13			

龍威電子有限公司
 Dragon Well Electronics Co., Ltd
 TITLE: 1.27PIN HEADER DUAL ROWS SMT TYPE BASE 1.00H
 MODEL NO. DW-PH-2127258WVnP-XXTR-01
 THIS DRAWING CONTAINS INFORMATION THAT IS PROPRIETARY TO DRAGON WELL AND SHOULD NOT BE USED WITHOUT WRITTEN PERMISSION