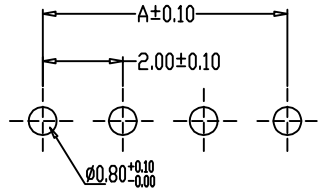
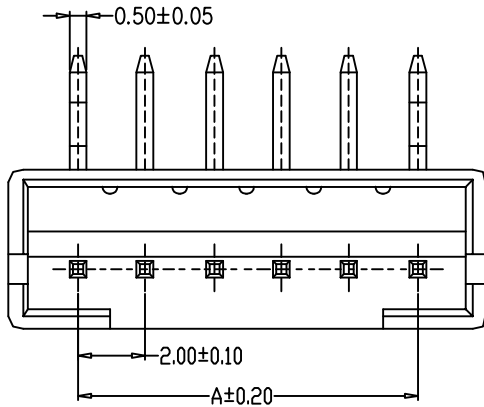
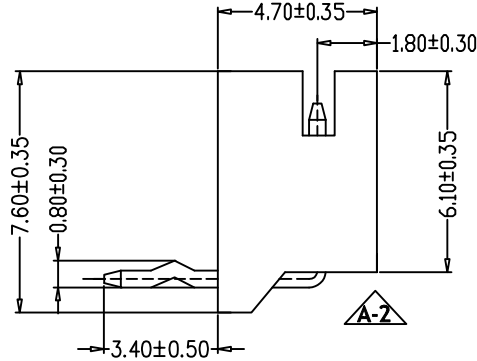
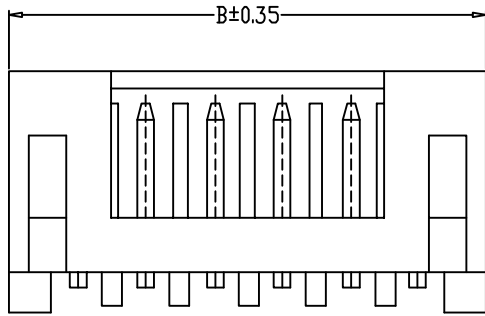


RoHS COMPLIANT

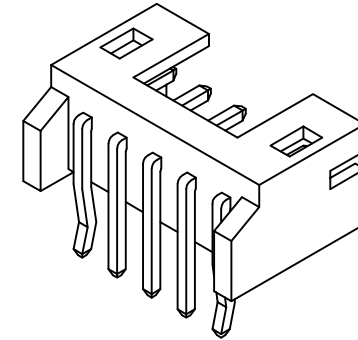


RECOMMENDED P.C.B.LAYOUT
ALL TOLERANCES ARE±0.05

Poles	Dimension mm	
	A	B
02	2.00	6.00
03	4.00	8.00
04	6.00	10.00
05	8.00	12.00
06	10.00	14.00
07	12.00	16.00
08	14.00	18.00
09	16.00	20.00
10	18.00	22.00
11	20.00	24.00
12	22.00	26.00
13	24.00	28.00
14	26.00	30.00
15	28.00	32.00

Specifications

Voltage Rating: 100V AC DC
 Current Rating: 2.0A AC DC
 Insulation Resistance: 1000MΩ Min.
 Dielectric Withstanding: 800V AC/ minute.
 Contact Resistance: 30mΩ Max.
 Operating Temperature: -25°C to +85°C
Materials
 Contact Material: Brass Tin-Plated
 Insulator Material: Nylon66/LCP, UL 94V-0



Part number Information:

DW-WF-1 200121WRNP-31 XX - XX
 Single Row
 Pitch 2.00mm
 Total PINS
 Connector Plating
 01:Gold Flash
 03:3u" Gold
 06:6u" Gold
 15:15u" Gold
 30:30u" Gold
 31:Sn
 32:Ni
 PE:PE Bag
 TP:Tray Packing
 Insulator Material:
 01:Nylon66(Resistance To Soldering Heat :245°C ±5°C)
 02:LCP(Resistance To Soldering Heat :265°C ±5°C)



ECN NO.	REV	DATE	DESCRIPTION	CHANGE	APPRO.	GENERAL TOLERANCE UNLESS OTHERWISE NOTED	SCALE: N/A	UNIT:mm	A4	SHEET: 1 of 1	THIS DRAWING CONTAINS INFORMATION THAT IS PROPRIETARY TO DRAGON WELL AND SHOULD NOT BE USED WITHOUT WRITTEN PERMISSION
	A-2	2020.12.01	Updated spec	Michael	Rix	Angle ±2° X.X ±0.35	DESIGN	Aple	2020.12.01		<p>龍威電子有限公司 Dragon Well Ele Dragon Well Electronics Co.,Ltd</p>
	A-1	2019.04.26	Updated spec	Michael	Rix	X.XX ±0.30	CHECK	Jason	2020.12.01		
	A-0	2017.11.28	New	Michael	Rix	X.XXX ±0.15	APPROVAL	Rix	2020.12.01		
TITLE: 2.00 PITCH DIP 弯针 Wafer MODEL NO. DW-WF-1200121WRNP-31XX-XX											