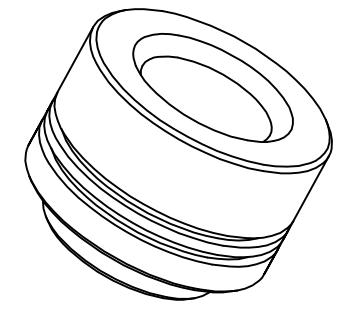
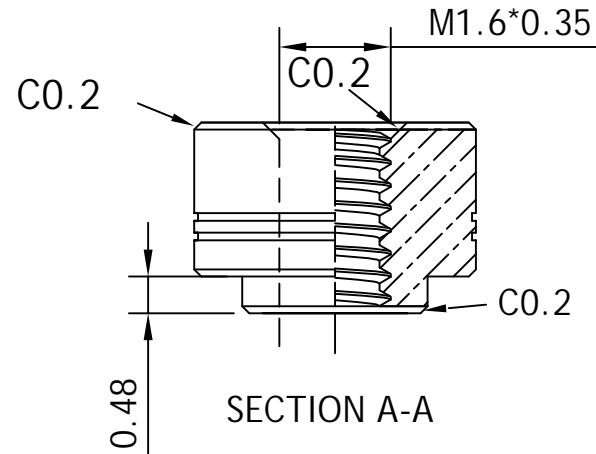
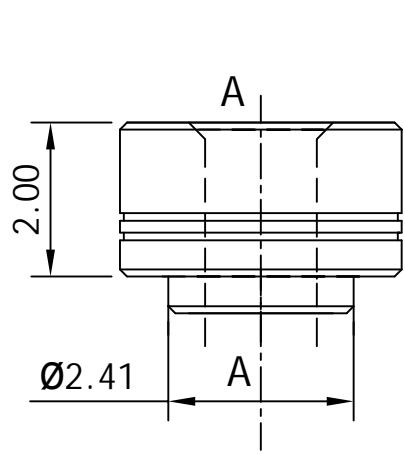
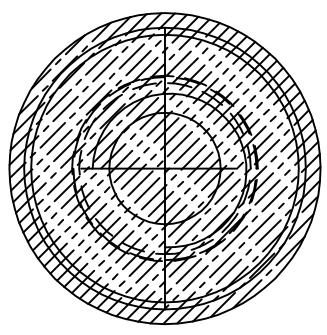
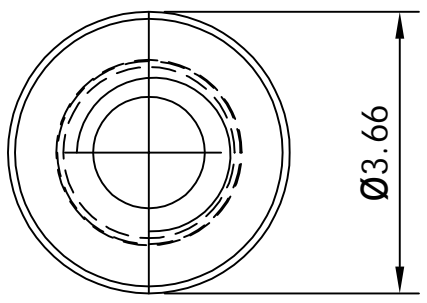
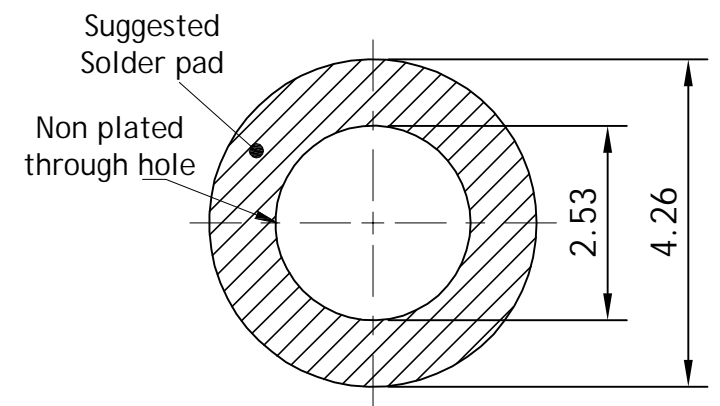


RoHS COMPLIANT




Recommended land pattern: (mm)



Mylar

- 1. Material: Copper Alloy
- 2. Plating: matte-tin
- 3. Operation Temperature: -55 °C to +150 °C

						Angle	±2°	DESIGN	Michael	2025.10.21	 龍威電子有限公司 Dragon Well Ele Dragon Well Electronics Co., Ltd	
						X	±0.35	CHECK	Fairy	2025.10.21		
						X.X	±0.25	APPROVAL	Tom	2025.10.21		
ECN NO.	REV	DATE	DESCRIPTION	CHANGE	APPRO.	GENERAL TOLERANCE UNLESS OTHERWISE NOTED		SCALE: N/A	UNIT:mm	A4	SHEET: 1 of 1	TITLE: STAND OFF 3.66*2.00*0.48mm M1.6*0.35mm MODEL NO. E6-07-048-2.0 THIS DRAWING CONTAINS INFORMATION THAT IS PROPRIETARY TO DRAGON WELL AND SHOULD NOT BE USED WITHOUT WRITTEN PERMISSION