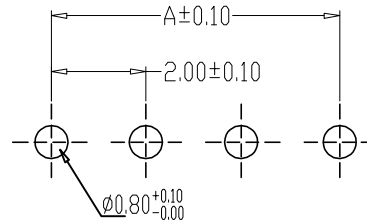
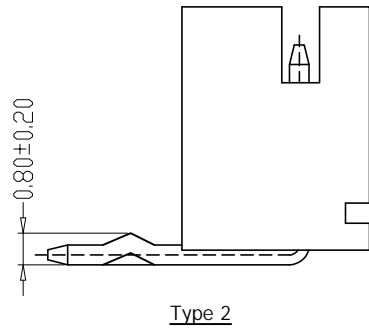
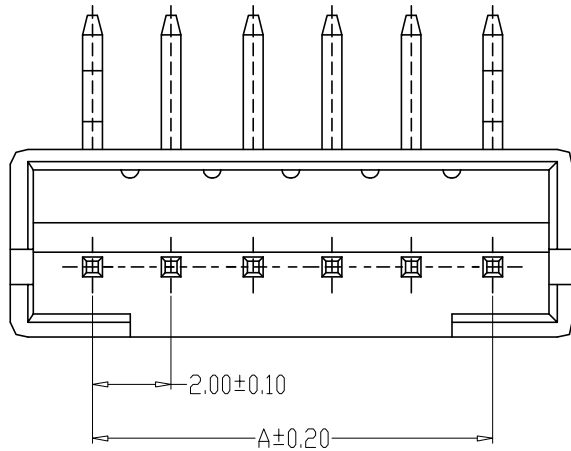
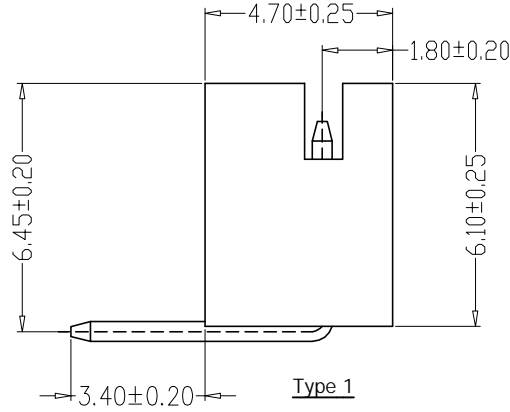
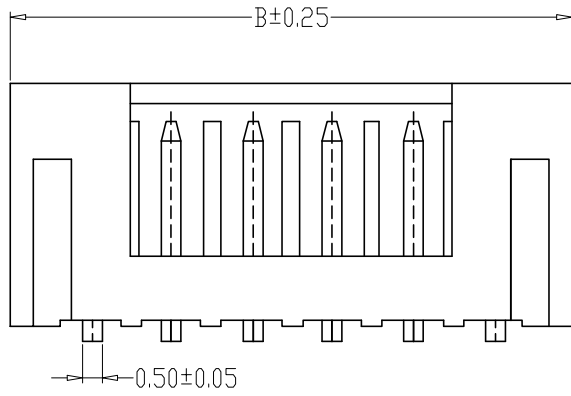


RoHS COMPLIANT

Specifications

Voltage Rating: 250V AC DC
 Current Rating: 2.0A AC DC
 Insulation Resistance: 1000MΩ Min.
 Dielectric Withstanding: 800V AC/ minute.
 Contact Resistance: 20mΩ Max.
 Operating Temperature: -25°C to +85°C
 Materials
 Contact Material: Brass
 Insulator Material: Nylon66 , UL 94V-0



RECOMMENDED P.C.B. LAYOUT
 ALL TOLERANCES ARE ±0.05

Part number Information:

DW-WF-1 200221WRNP-XX PE - XX
 Single Row
 Pitch 2.00mm
 Total PINS
 Connector Plating
 01:Gold Flash
 03:3u" Gold
 06:6u" Gold
 15:15u" Gold
 30:30u" Gold
 31:Sn
 32:Ni
 PE:PE Bag
 I Series(Type)
 01:Type 1
 02:Type 2

PORT NO	Dimension	
	A	B
02	2.00	6.00
03	4.00	8.00
04	6.00	10.00
05	8.00	12.00
06	10.00	14.00
07	12.00	16.00
08	14.00	18.00
09	16.00	20.00
10	18.00	22.00
11	20.00	24.00
12	22.00	26.00
16	30.00	34.00

ECN NO.	REV	DATE	DESCRIPTION	CHANGE	APPRO.	GENERAL TOLERANCE UNLESS OTHERWISE NOTED	SCALE: N/A	UNIT:mm	A4	SHEET: 1 of 1
	A-0	2019.05.16	NEW	Michael	Rix	X.XXX ±0.15				
						X.XX ±0.30				
						X.X ±0.35				
						Angle ±2°	DESIGN	Aple	2019.05.16	
							CHECK	Jason	2019.05.16	
							APPROVAL	Rix	2019.05.16	


龍威電子有限公司
 Dragon Well EleDragon Well Electronics Co.,Ltd
 TITLE: 2.00 PITCH SMT 90° Single Row Wafer
 MODEL NO. DW-WF-1200221WRNP-XXPE-XX
 THIS DRAWING CONTAINS INFORMATION THAT IS PROPRIETARY TO DRAGON WELL AND SHOULD NOT BE USED WITHOUT WRITTEN PERMISSION