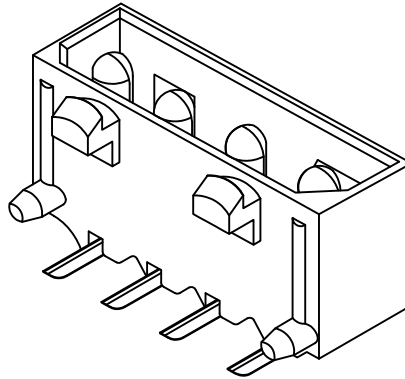
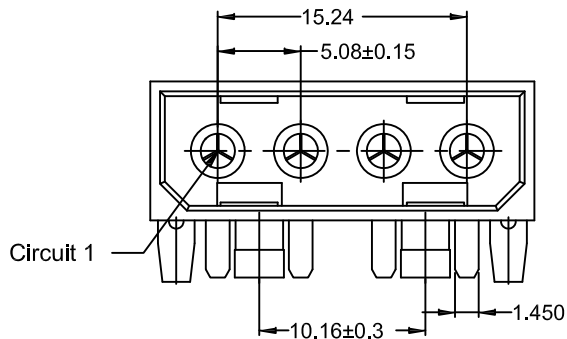


RoHS COMPLIANT

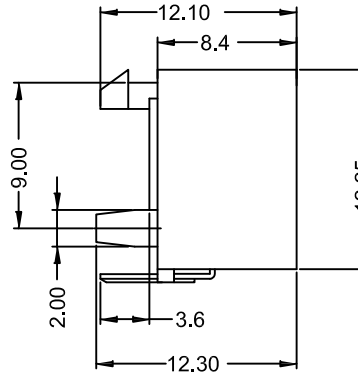
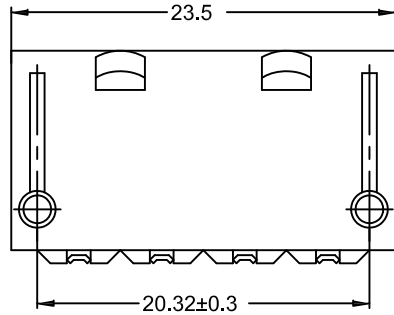


Specifications

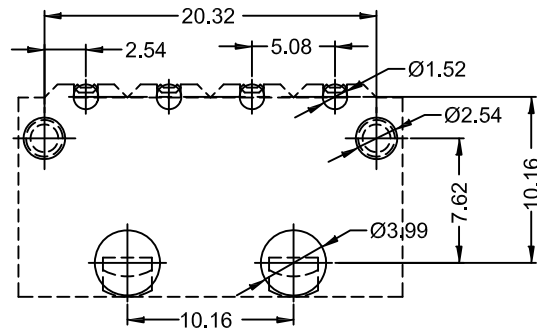
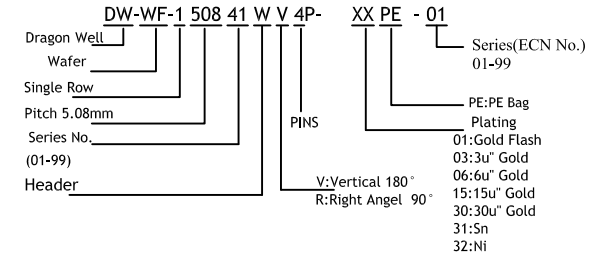
Current Rating: 10 A AC,DC
 Voltage Rating: 250 V AC,DC
 Insulation Resistance: 1000M Ω Min.
 Withstanding Voltage: 1500V AC/Minute.
 Contact Resistance: 10mΩ Max.
 Operating Temperature:-25 °C to +85 °C

Materials

Terminal:Brass
 Insulation Material: Nylon 66 UL 94V-0
 Plating:Plating (SEE Part Number Information)



Part number Information:



Recommended P.C.B Layout
 General Tolerance±0.05

Nylon 66 UL 94V-0	Brass	Tin-Plated	5050H
Material	Material(Pin)	Finish(Pin)	Mates With SWB Housing

						Angle	±2°	DESIGN	Aple	2014.12.08	龍威電子有限公司 Dragon Well Ele Dragon Well Electronics Co.,Ltd		
						X.X	±0.30	CHECK	Jason	2014.12.08		TITLE:	5.08mm Wafer Crimp Style Connectors
						X.XX	±0.20	APPROVAL	Rix	2014.12.08		MODEL NO.	DW-WF-1508410WV4P-XXPE-01
ECN NO.	REV	DATE	DESCRIPTION	CHANGE	APPRO.	GENERAL TOLERANCE UNLESS OTHERWISE NOTED		SCALE: N/A	UNIT:mm	A4	SHEET: 1 of 1	FILE NO.	Q/DW.QW-DW-WF-1508410WV4P